

optibelt ZR / ZR D

The most salient features of the Optibelt ZR timing belts are the high quality neoprene compounds, the extremely flexible tension cords made of glass fibre and the abrasion-resistant protective fabric. A certain level of oil, heat and cold resistance are standard features of ZR timing belts.

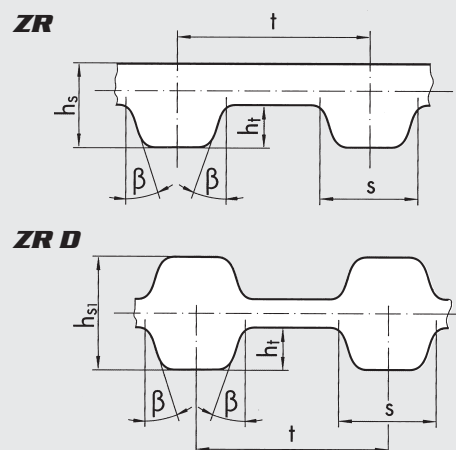
Advantages

- Synchronous torque transmission
- Broad performance range
- Low bearing loading
- High level of flexibility
- Extremely small pulley diameters

Customised versions tailored to a particular application can be provided on request.

Examples of Applications

- | | |
|----------------------------------|------------------------|
| Office equipment | ■ Copiers |
| Data processing | ■ Printers |
| Household appliances | ■ Mixers |
| Gardening equipment | ■ Scarifiers, aerators |
| Film and photographic technology | ■ Film cameras |
| D.I.Y. tools | ■ Planes |
| Packing machines | ■ Measuring drives |
| Conveying technology | ■ Control unit drives |



Sections:

ZR: MXL; XL; L; H; XH; XXH

ZR D: D-XL; D-L; D-H

ZR: endless timing belts
XL; L; H

Dimensions:

ZR: 91 to 4 572 mm

ZR D: 381 to 4 318 mm
other sizes on request

Timing pulleys Optibelt ZRS:

standard timing pulleys for cylindrical bores ZR: XL; L; H; XH
standard timing pulleys for taper bushes ZR: L; H; XH
special pulleys on request