

SPROCKETS for series 820 - 831 - LBP 831 - 831 VG



Features:

- Excellent wear and chemical resistance.
- Reduced noise level and quiet operation
- Reinforced design.
- Completely closed structure, easier to clean and to disinfect.
- Increased keyway strength.
- The design of the sprocket ensures smooth running and long service life.
- Increased keyway strength.



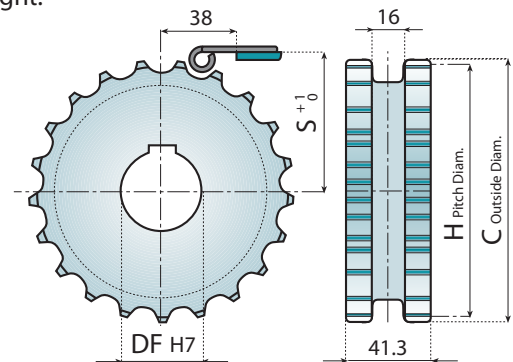
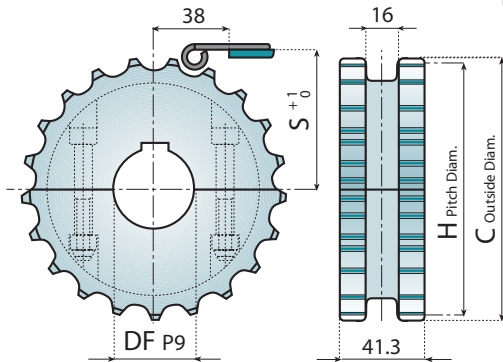
For tolerances and dimensions see pages 332 - 333



For chains type see pages 46 - 48 - 66 - 76



For chemical resistance see pages 336 - 337



SPLIT SPROCKETS

Material: polyamide, screws in stainless steel, DIN 6885 key seat.

Notes: special shape of teeth compensates natural chain lengthening after prolonged use.



STANDARD SPROCKETS

Material: polyamide, DIN 6885 key seat.

Notes: special shape of teeth compensates natural chain lengthening after prolonged use.

CODE	Z	C mm	H mm	S mm	DF mm
12960	17	103.9	105.47	55.9	18*
12920					25
12921					30
12922					35
12923					40
12961	19	117.0	117.34	61.9	18*
12924					25
12925					30
12926					35
12927					40
12962	21	129.0	129.26	67.8	18*
12928					25
12929					30
12930					35
12931					40
12963	23	142.0	141.21	73.8	18*
12932					25
12933					30
12934					35
12935					40
12964	25	154.0	153.21	79.8	18*
12936					25
12937					30
12938					35
12939					40
121125	27	166.8	165.20	85.8	18*
121126					25
121127					30
121128					35
121129					40
121130	29	178.5	177.24	91.8	18*
121131					25
121132					30
121133					35
121134					40

CODE	Z	C mm	H mm	S mm	DF mm				
12940	17	103.9	105.47	55.9	25				
12941					30				
12942					35				
12943					40				
12944					25				
12945	19	117.0	117.34	61.9	30				
12946					35				
12947					40				
12948					25				
12949					21	129.0	129.26	67.8	30
12950	35								
12951	40								
12952	23	142.0	141.21	73.8					25
12953									30
12954					35				
12955					40				
12956					25	154.0	153.21	79.8	25
12957	30								
12958	35								
12959	40								
121135	27	166.8	165.20	85.8					25
121136					30				
121137					35				
121138					40				
121139					29	178.5	177.24	91.8	25
121140	30								
121141	35								
121142	40								

* Plain Bore

• Sprockets in material Steel and Cast Iron on request.

IDLER WHEELS for series 820 - 831 - LBP 831 - 831 VG



Features:

- Excellent wear and chemical resistance.
- Reduced noise level and quiet operation
- Reinforced design.
- Completely closed structure, easier to clean and to disinfect.
- The design of the sprocket ensures smooth running and long service life.



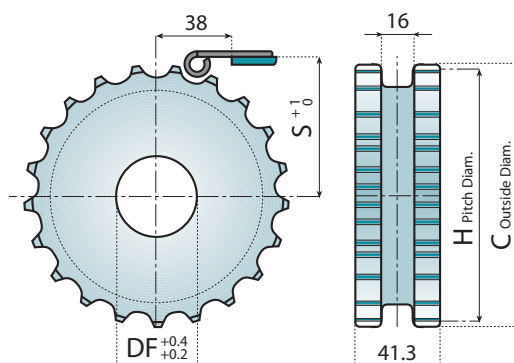
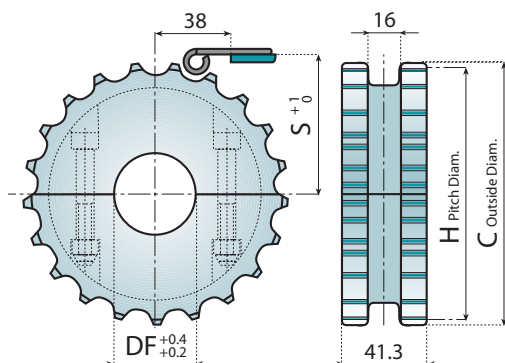
For tolerances and dimensions see pages 332 - 333



For chains type see pages 46 - 48 - 66 - 76



For chemical resistance see pages 336 - 337



SPLIT IDLER WHEELS

Material: polyamide, screws in stainless steel,
Notes: special shape of teeth compensates natural chain lengthening after prolonged use.



STANDARD IDLER WHEELS

Material: polyamide.
Notes: special shape of teeth compensates natural chain lengthening after prolonged use.

CODE	Z	C mm	H mm	S mm	DF mm
121143					25
121144					30
121145	17	103.9	105.47	55.9	35
121146					40
121147					25
121148					30
121149	19	117.0	117.34	61.9	35
121150					40
121151					25
121152					30
121153	21	129.0	129.26	67.8	35
121154					40
121155					25
121156					30
121157	23	142.0	141.21	73.8	35
121158					40
121159					25
121160					30
121161	25	154.0	153.21	79.8	35
121162					40
121163					25
121164					30
121165	27	166.8	165.20	85.8	35
121166					40
121167					25
121168					30
121169	29	178.5	177.24	91.8	35
121170					40

CODE	Z	C mm	H mm	S mm	DF mm
121171					25
121172					30
121173	17	103.9	105.47	55.9	35
121174					40
121175					25
121176					30
121177	19	117.0	117.34	61.9	35
121178					40
121179					25
121180					30
121181	21	129.0	129.26	67.8	35
121182					40
121183					25
121184					30
121185	23	142.0	141.21	73.8	35
121186					40
121187					25
121188					30
121189	25	154.0	153.21	79.8	35
121190					40
121191					25
121192					30
121193	27	166.8	165.20	85.8	35
121194					40
121195					25
121196					30
121197	29	178.5	177.24	91.8	35
121198					40

• Idler wheels in material Steel and Cast Iron on request.

SPROCKETS and IDLER WHEELS for series 820



SPLIT SPROCKETS

Material: reinforced polyamide, screws in stainless steel, nuts in nickel plated brass.
DIN 6885 key seat.



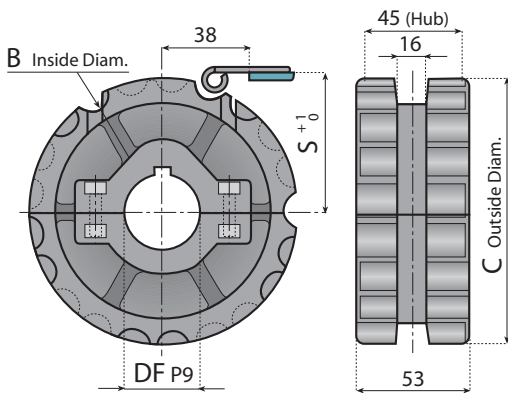
For tolerances and dimensions see pages 332 - 333



For chains type see pages 46 - 48 - 66 - 76



For chemical resistance see pages 336 - 337



CODE	Z	B mm	C mm	S mm	DF mm
12057					25
12058					30
12059	21	116.1	129	67.8	35
12060					40
12095					45
12104					25
12105					30
12106	23	128.1	142	73.8	35
12107					40
12108					45
12069					25
12070					30
12071	25	140.1	154	79.8	35
12072					40
12096					45



SPLIT IDLER WHEELS

Material: polyamide, screws in stainless steel, nuts in nickel plated brass.



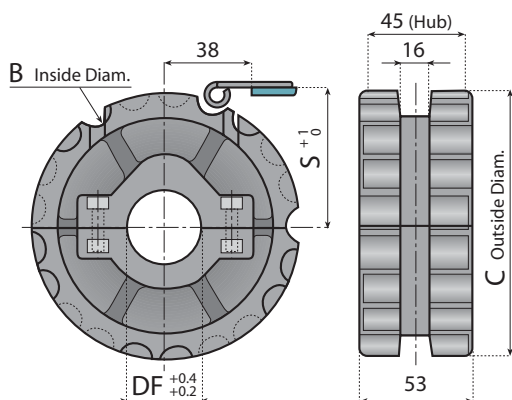
For tolerances and dimensions see pages 332 - 333



For chains type see pages 46 - 48 - 66 - 76



For chemical resistance see pages 336 - 337



CODE	Z	B mm	C mm	S mm	DF mm
121095					25
121096					30
121097	21	116.1	129	67.8	35
121098					40
121099					45
121100					25
121101					30
121102	23	128.1	142	73.8	35
121103					40
121104					45
121105					25
121106					30
121107	25	140.1	154	79.8	35
121108					40
121109					45

SPROCKETS for series 820



DRIVE SPROCKETS

Material: reinforced polyamide, screws in stainless steel, DIN 6885 key seat.



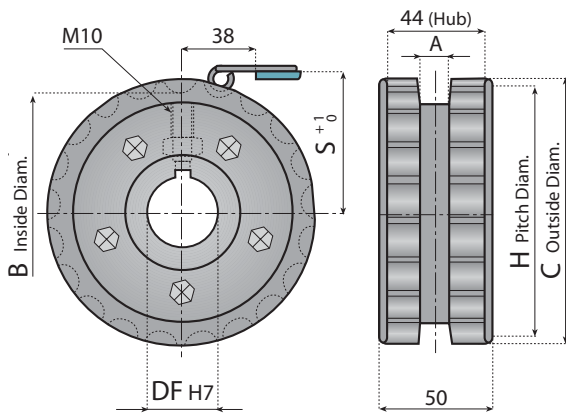
For tolerances and dimensions see pages 332 - 333



For chains type see pages 46 - 48 - 66 - 76



For chemical resistance see pages 336 - 337



CODE	z	A mm	B mm	C mm	H mm	S mm	DF mm
12276	17	13	92.3	103.9	105.47	55.9	25
12277							30
12660	19	16	104.2	117	117.34	61.9	25
12661							30
12662							35
12663							40
12664	21	16	116.1	129	129.26	67.8	25
12665							30
12666							35
12667							40
12668	23	16	128.1	142	141.21	73.8	25
12669							30
12670							35
12671							40
12672	25	16	140.1	154	153.21	79.8	25
12673							30
12674							35
12675							40

IDLER WHEELS for series 820 - 831 - LBP 831 - 831 VG



Features:

- Excellent wear and chemical resistance.
- Reduced noise level and quiet operation
- Reinforced design.
- Completely closed structure, easier to clean and to disinfect.
- Recyclable.
- Quickly replaceable.



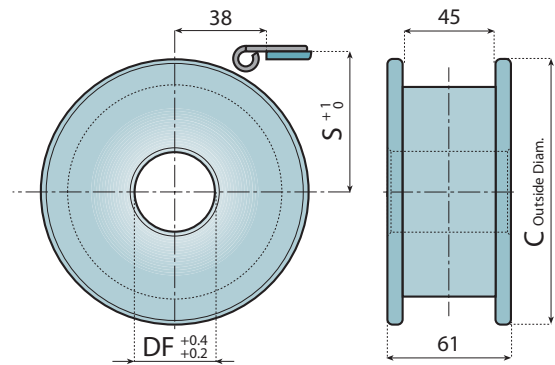
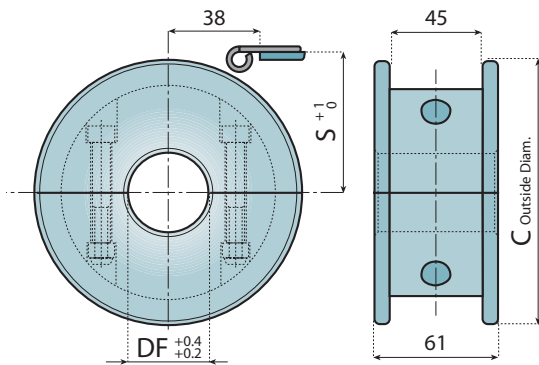
For tolerances and dimensions see pages 332 - 333



For chains type see pages 46 - 48 - 66 - 76



For chemical resistance see pages 336 - 337



SPLIT IDLER WHEELS

Material: polyamide, screws in stainless steel.



STANDARD IDLER WHEELS

Material: polyamide.

CODE	Z equiv.	C mm	S mm	DF mm
12608	17	104.0	56.2	20
12609				25
12610				30
12611				35
12612				40
12613	19	117.0	62.6	20
12614				25
12615				30
12616				35
12618				40
12617	21	129.8	68.6	20
12619				25
12620				30
12621				35
12622				40
12623	23	142.2	74.6	20
12624				25
12625				30
12626				35
12627				40
12628	25	154.7	80.5	20
12629				25
12630				30
12631				35
12632				40
121357	27	167.2	86.5	20
121358				25
121359				30
121360				35
121361				40
121362	29	179.3	92.8	20
121363				25
121364				30
121365				35
121366				40

CODE	Z equiv.	C mm	S mm	DF mm
12633	17	104.0	56.2	20
12634				25
12635				30
12636				35
12637				40
12638	19	117.0	62.6	20
12639				25
12640				30
12641				35
12642				40
12643	21	129.8	68.6	20
12644				25
12645				30
12646				35
12647				40
12648	23	142.2	74.6	20
12649				25
12650				30
12651				35
12652				40
12653	25	154.7	80.5	20
12654				25
12655				30
12656				35
12657				40
121367	27	167.2	86.5	20
121368				25
121369				30
121370				35
121371				40
121372	29	179.3	92.8	20
121373				25
121374				30
121375				35
121376				40

IDLER WHEELS for series 820 - 831 - LBP 831 - 831 VG



IDLER WHEELS with Low Friction Bushing

Material: ultrasonic welded cover in reinforced polyamide.
Bushing in Low Friction and Low Corrosion resin.
Idler body in self-lubricating polyamide.



For tolerances and dimensions see pages 332 - 333

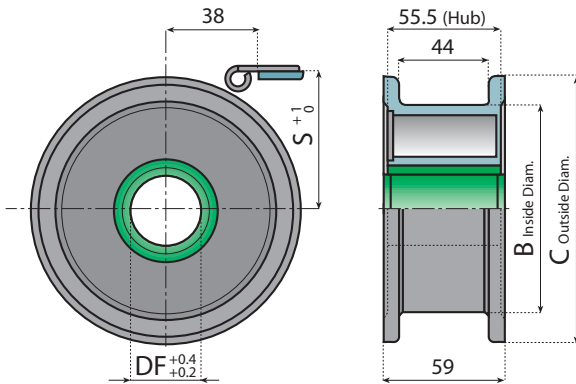


For chains type see pages 46 - 48 - 66 - 76



For chemical resistance see pages 336 - 337

Colour: black and green.



CODE	Z equiv.	B mm	C mm	S mm	DF mm
12866					25
12867	21	103.5	129.5	68.6	30
12868					35
12869					40
12874					25
12875	23	103.5	143.0	74.6	30
12876					35
12877					40
12870					25
12871	25	122	154.5	80.5	30
12872					35
12873					40

IDLER WHEELS for series 820 - 831 - LBP 831 - 831 VG



REINFORCED IDLER WHEELS

Material: self-lubricating polyamide.

Colour: grey or black.

Notes: reinforced version, high wear and chemical resistance, recyclable.



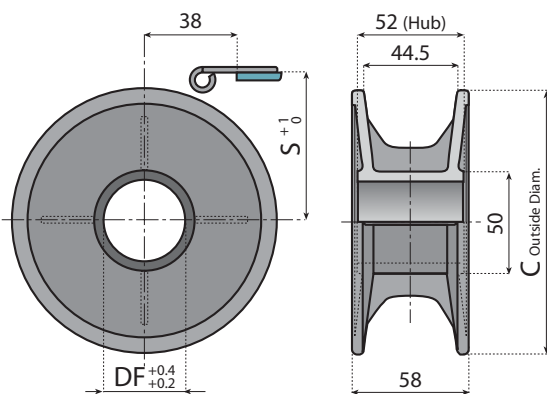
For tolerances and dimensions see pages 332 - 333



For chains type see pages 46 - 48 - 66 - 76



For chemical resistance see pages 336 - 337



CODE		Z equiv.	C mm	S mm	DF mm
Grey	Black				
12208	12208B	19	117.0	62.6	25
12209	12209B				30
12210	12210B				35
12211	12211B				40
12200	12200B	21	129.8	68.6	25
12201	12201B				30
12202	12202B				35
12203	12203B				40
12212	12212B	23	142.2	74.6	25
12213	12213B				30
12214	12214B				35
12215	12215B				40
12204	12204B	25	154.7	80.5	25
12205	12205B				30
12206	12206B				35
12207	12207B				40

IDLER WHEELS for series 820 - 831 - LBP 831 - 831 VG



SPLIT IDLER WHEELS

Material: self-lubricating polyamide, screws in stainless steel.

Colour: grey or black.

Notes: quickly replaceable, reinforced version, high wear and chemical resistance, recyclable.



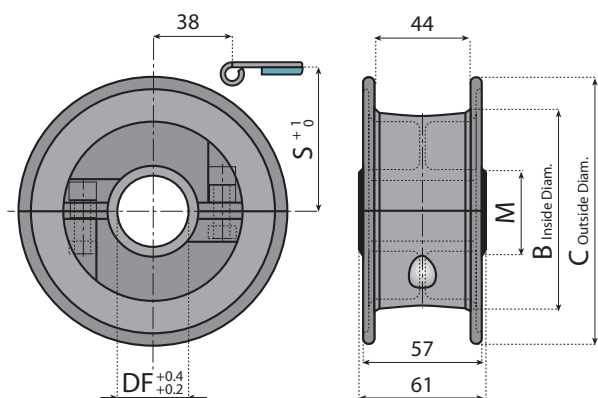
For tolerances and dimensions see pages 332 - 333



For chains type see pages 46 - 48 - 66 - 76



For chemical resistance see pages 336 - 337



CODE		Z equiv.	M mm	B mm	C mm	S mm	DF mm
Grey	Black						
12077	12077B	21	35	97	129.8	68.6	25
12078	12078B		40				30
12079	12079B		45				35
12080	12080B		50				40
12081	12081B	25	35	102	154.7	80.5	25
12082	12082B		40				30
12083	12083B		45				35
12084	12084B		50				40



IDLER WHEELS

Material: self-lubricating polyamide, screws in zinc plated steel.



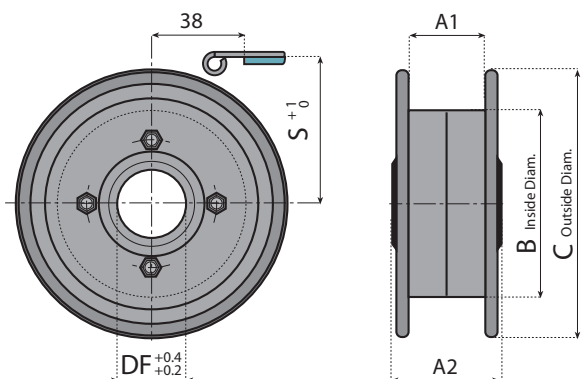
For tolerances and dimensions see pages 332 - 333



For chains type see pages 46 - 47 - 66 - 76



For chemical resistance see pages 336 - 337



CODE	Z equiv.	A1 mm	A2 mm	B mm	C mm	S mm	DF mm
12676	15	48	83	58	90	48.2	30
12677							35
12678							40
12679							45
12278	17	44	52	71	106	56.2	25
12279							30
12680	19	44	60	80	118	62.6	25
12681							30
12682							35
12683							40
12684	21	44	60	80	129.8	68.6	25
12685							30
12686							35
12687							40
12688	23	44	60	108	142.5	74.6	25
12689							30
12690							35
12691							40
12692	25	44	60	108	155	80.5	25
12693							30
12694							35
12695							40

SPROCKETS for series 821 - LBP 821 - 821 VG



Features:

- Excellent wear and chemical resistance.
- Reduced noise level and quiet operation.
- Reinforced design, quickly replaceable.
- Completely closed structure, easier to clean and to disinfect.
- Increased keyway strength.
- The design of the sprocket ensures smooth running and long service life.



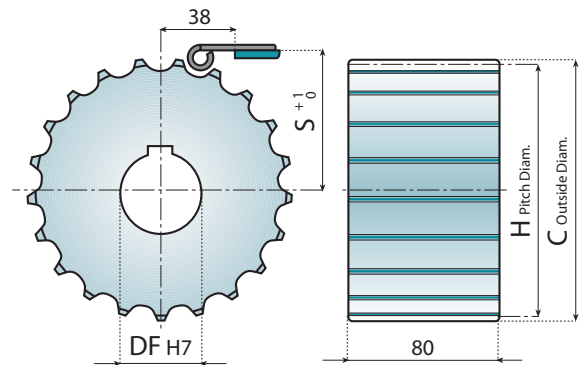
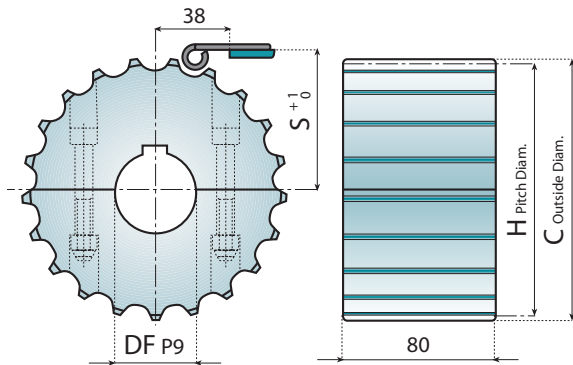
For tolerances and dimensions see pages 332 - 333



For chains type see pages 50 - 62 - 77



For chemical resistance see pages 336 - 337



SPLIT SPROCKETS

Material: polyamide, screws in stainless steel, DIN 6885 key seat.

Notes: special shape of teeth compensates natural chain lengthening after prolonged use.



STANDARD SPROCKETS

Material: polyamide, DIN 6885 key seat.

Notes: special shape of teeth compensates natural chain lengthening after prolonged use.

CODE	Z	C mm	H mm	S mm	DF mm
12900	19	117.0	117.34	61.9	18*
12280					25
12281					30
12282					35
12283					40
12901	21	129.0	129.26	67.8	18*
12284					25
12285					30
12286					35
12287					40
12902	23	142.0	141.21	73.8	18*
12288					25
12289					30
12290					35
12291					40
12903	25	154.0	153.21	79.8	18*
12292					25
12293					30
12294					35
12295					40
121307	27	166.8	165.20	85.8	18*
121308					25
121309					30
121310					35
121311					40
121312	29	178.5	177.24	91.8	18*
121313					25
121314					30
121315					35
121316					40

CODE	Z	C mm	H mm	S mm	DF mm
12296	19	117.0	117.34	61.9	25
12297					30
12298					35
12299					40
12437					21
12438	30				
12439	35				
12440	40				
12441	23	142.0	141.21	73.8	
12442					30
12443					35
12444					40
12445					25
12446	30				
12447	35				
12448	40				
121317	27	166.8	165.20	85.8	
121318					30
121319					35
121320					40
121321					29
121322	30				
121323	35				
121324	40				

* Plain Bore

• Sprockets in material Steel and Cast Iron on request.

IDLER WHEELS for series 821 - LBP 821 - 821 VG



Features:

- Excellent wear and chemical resistance.
- Reduced noise level and quiet operation.
- Reinforced design, quickly replaceable.
- Completely closed structure, easier to clean and to disinfect.
- The design of the sprocket ensures smooth running and long service life.



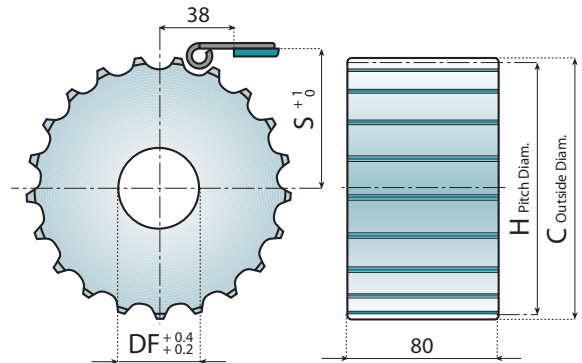
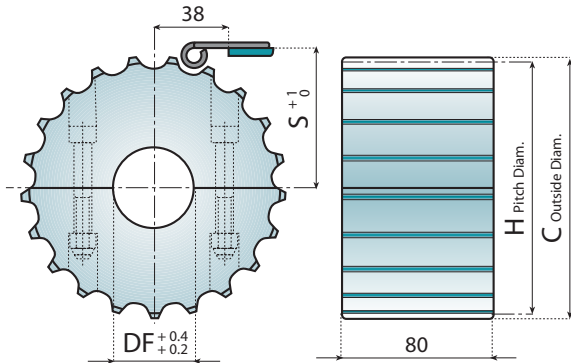
For tolerances and dimensions see pages 332 - 333



For chains type see pages 50 - 62 - 77



For chemical resistance see pages 336 - 337



SPLIT IDLER WHEELS

Material: polyamide, screws in stainless steel,
Notes: special shape of teeth compensates natural chain lengthening after prolonged use.



STANDARD IDLER WHEELS

Material: polyamide.
Notes: special shape of teeth compensates natural chain lengthening after prolonged use.

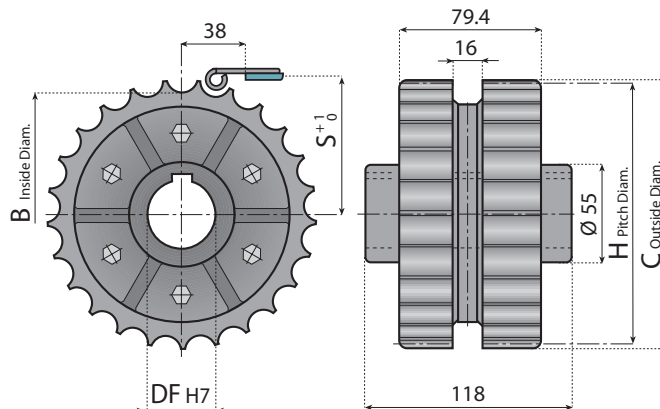
CODE	Z	C mm	H mm	S mm	DF mm
121325					25
121326					30
121327	19	117.0	117.34	61.9	35
121328					40
121329					25
121330					30
121331	21	129.0	129.26	67.8	35
121332					40
121333					25
121334					30
121335	23	142.0	141.21	73.8	35
121336					40
121337					25
121338					30
121339	25	154.0	153.21	79.8	35
121340					40
121341					25
121342					30
121343	27	166.8	165.20	85.8	35
121344					40
121345					25
121346					30
121347	29	178.5	177.24	91.8	35
121348					40

CODE	Z	C mm	H mm	S mm	DF mm
12449G					18*
12449					25
12450	19	117.0	117.34	61.9	30
12451					35
12452					40
12453G					18*
12453					25
12454	21	129.0	129.26	67.8	30
12455					35
12456					40
12457G					18*
12457					25
12458	23	142.0	141.21	73.8	30
12459					35
12460					40
12461G					18*
12461					25
12462	25	154.0	153.21	79.8	30
12463					35
12464					40
121349G					18*
121349					25
121350	27	166.8	165.20	85.8	30
121351					35
121352					40
121353G					18*
121353					25
121354	29	178.5	177.24	91.8	30
121355					35
121356					40

* Plain Bore

• Sprockets in material Steel and Cast Iron on request.

SPROCKETS and IDLER WHEELS for series 821 - LBP 821 - 821 VG



For tolerances and dimensions see pages 332 - 333



For chains type see pages 50 - 62 - 77



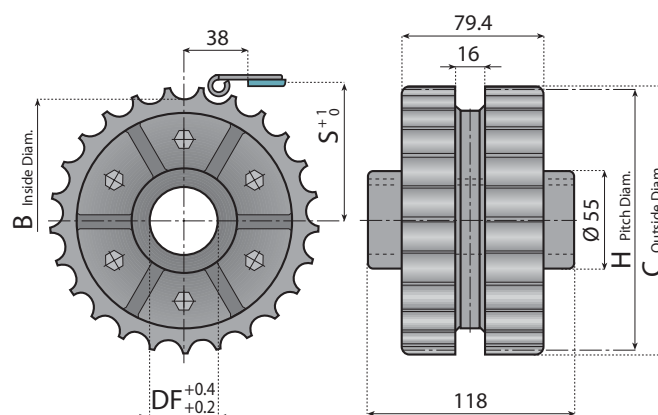
For chemical resistance see pages 336 - 337



DRIVE SPROCKETS

Material: reinforced polyamide, screws in stainless steel, DIN 6885 key seat.

CODE	z	B mm	C mm	H mm	S mm	DF mm
12085						25
12086	25	140.1	154	153.2	79.8	30
12087						35
12088						40



For tolerances and dimensions see pages 332 - 333



For chains type see pages 50 - 62 - 77



For chemical resistance see pages 336 - 337




IDLER WHEELS


Material: self-lubricating polyamide, screws in stainless steel.

CODE	z	B mm	C mm	H mm	S mm	DF mm
12089						25
12090	25	140.1	154	153.2	79.8	30
12091						35
12092						40

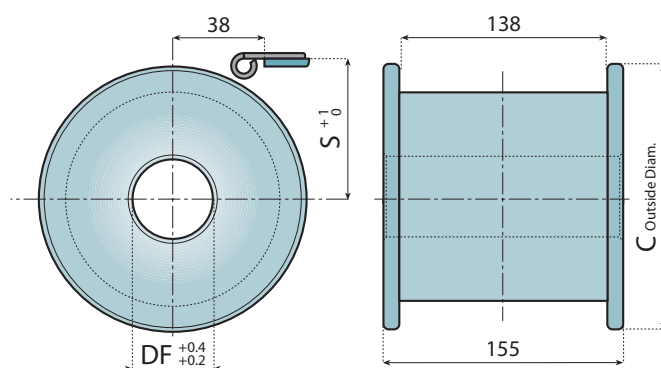
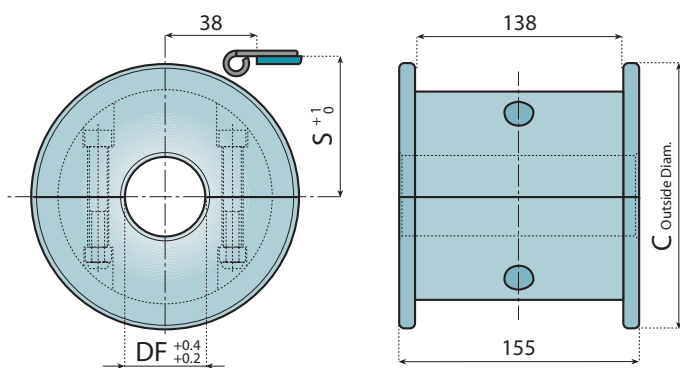
IDLER WHEELS for series 821 - LBP 821 - 821 VG



 For tolerances and dimensions see pages 332 - 333

 For chains type see pages 50 - 62 - 77

 For chemical resistance see pages 336 - 337



Features:

- Excellent wear and chemical resistance.
- Reduced noise level, and quiet operation.
- Reinforced design.
- Completely closed structure, easier to clean and to disinfect.
- Recyclable.
- Quickly replaceable.

Features:

- Excellent wear and chemical resistance.
- Reduced noise level, and quiet operation.
- Reinforced design.
- Completely closed structure, easier to clean and to disinfect.
- Recyclable.
- Convenient.



SPLIT IDLER WHEELS

Material: polyamide, screws in stainless steel.



STANDARD IDLER WHEELS

Material: polyamide.

CODE	Z equiv.	C mm	S mm	DF mm
12220				30
12221	19	117.0	62.6	35
12222				40
12223				30
12224	21	129.8	68.6	35
12225				40
12226				30
12227	23	142.2	74.6	35
12228				40
12229				30
12230	25	154.7	80.5	35
12231				40

CODE	Z equiv.	C mm	S mm	DF mm
12232				30
12233	19	117.0	62.6	35
12234				40
12235				30
12236	21	129.8	68.6	35
12237				40
12238				30
12239	23	142.2	74.6	35
12240				40
12241				30
12242	25	154.7	80.5	35
12243				40

IDLER WHEELS for series 821 - LBP 821 - 821 VG



IDLER WHEELS

Material: self-lubricating polyamide, screws in zinc plated steel.



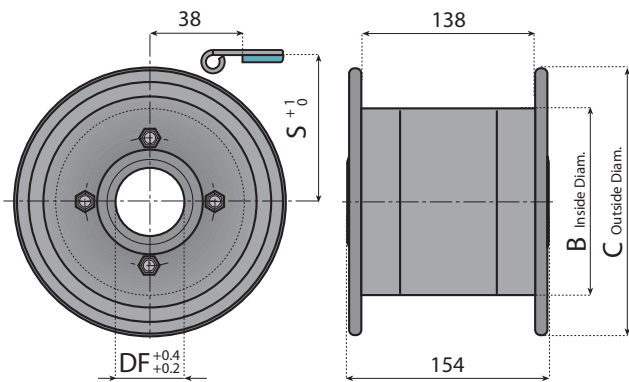
For tolerances and dimensions see pages 332 - 333



For chains type see pages 50 - 62 - 77

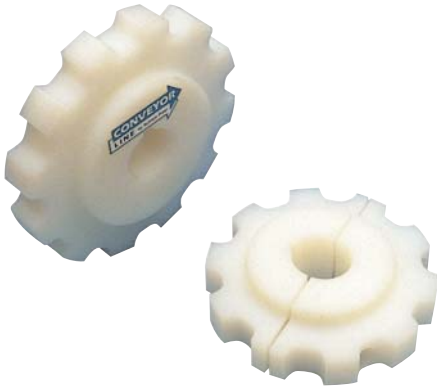


For chemical resistance see pages 336 - 337



CODE	Z equiv.	B mm	C mm	S mm	DF mm
121632					25
121633	19	80	118	62.6	30
121634					35
121635					40
121636					25
121637	21	80	128	68.6	30
121638					35
121639					40
121640					25
121641	23	108	142.5	74.6	30
121642					35
121643					40
121644					25
121645	25	108	155	80.5	30
121646					35
121647					40

SPROCKETS for series 882 BEVEL - 882 TAB - 882 M - 8257 LBP 8257 - LBP 882 M - LBP 882 TAB - 8257 VG - 882 TAB VG - 882 M VG



Features:

- Excellent wear and chemical resistance.
- Reduced noise level and quiet operation.
- Reinforced design.
- Completely closed structure, easier to clean and to disinfect.
- Increased keyway strength.
- Quickly replaceable.



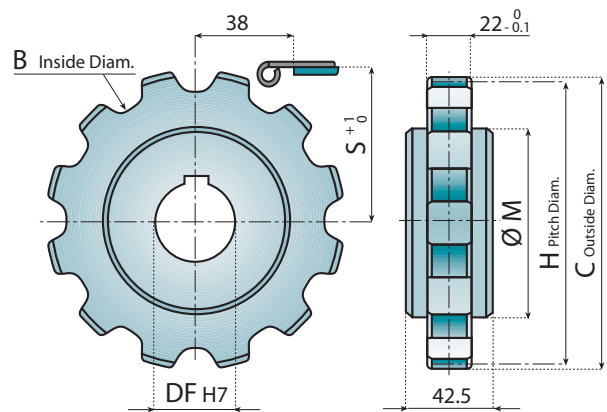
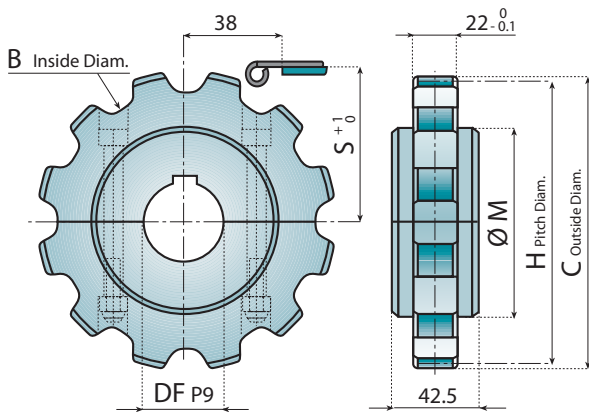
For tolerances and dimensions see pages 332 - 333



For chains type see pages 58 → 60
64-68 → 73-78-83-84



For chemical resistance see pages 336 - 337



SPLIT SPROCKETS

Material: polyamide, screws in stainless steel, DIN 6885 key seat.

Notes: special shape of teeth compensates natural chain lengthening after prolonged use.



STANDARD SPROCKETS

Material: polyamide, DIN 6885 key seat.

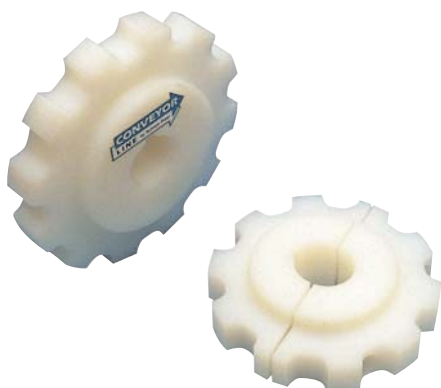
Notes: special shape of teeth compensates natural chain lengthening after prolonged use.

CODE	Z	C mm	H mm	B mm	M mm	S mm	DF mm
12914	9	112.0	111.4	92.1	60	60.5	18*
12346							30
12347							35
12348							40
12915	10	125.0	123.2	104.0	75	66.4	18*
12349							30
12350							35
12351							40
12916	11	137.0	135.2	116.0	85	72.4	18*
12352							30
12353							35
12354							40
12917	12	149.0	147.2	127.9	90	78.4	18*
12355							30
12356							35
12357							40

CODE	Z	C mm	H mm	B mm	M mm	S mm	DF mm
12370	9	112.0	111.4	92.1	60	60.5	30
12371							35
12372							40
12373							30
12374	10	125.0	123.2	104.0	75	66.4	35
12375							40
12376							30
12377	11	137.0	135.2	116.0	85	72.4	35
12378							40
12379							30
12380	12	149.0	147.2	127.9	90	78.4	35
12381							40

* Plain Bore

IDLER WHEELS for series 882 BEVEL - 882 TAB - 882 M - 8257 LBP 8257 - LBP 882 M - LBP 882 TAB - 8257 VG - 882 TAB VG - 882 M VG



Features:

- Excellent wear and chemical resistance.
- Reduced noise level and quiet operation.
- Reinforced design.
- Completely closed structure, easier to clean and to disinfect.
- Quickly replaceable.



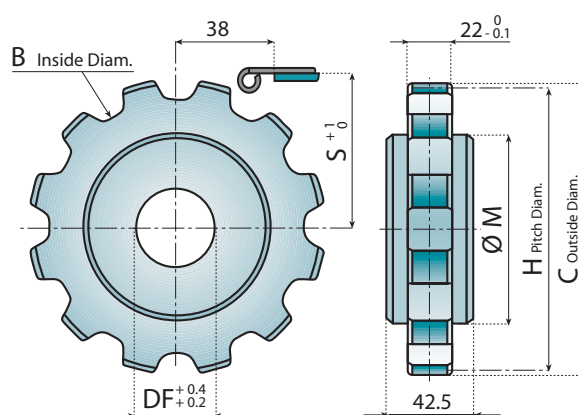
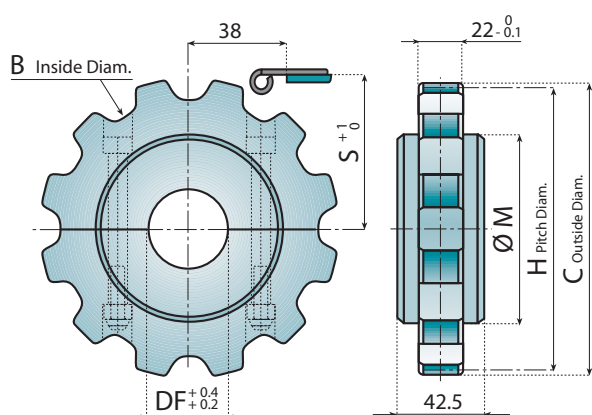
For tolerances and dimensions see pages 332 - 333



For chains type see pages 58 → 60
64-68→73-78-83-84



For chemical resistance see pages 336 - 337



SPLIT IDLER WHEELS

Material: polyamide, screws in stainless steel.

Notes: special shape of teeth compensates natural chain lengthening after prolonged use.



STANDARD IDLER WHEELS

Material: polyamide.

Notes: special shape of teeth compensates natural chain lengthening after prolonged use.

CODE	Z	C mm	H mm	B mm	M mm	S mm	DF mm
121768							30
121769	9	112.0	111.4	92.1	60	60.5	35
121770							40
121771							30
121772	10	125.0	123.2	104.0	75	66.4	35
121773							40
121774							30
121775	11	137.0	135.2	116.0	85	72.4	35
121776							40
121777							30
121778	12	149.0	147.2	127.9	90	78.4	35
121779							40

CODE	Z	C mm	H mm	B mm	M mm	S mm	DF mm
12358G							18*
12358	9	112.0	111.4	92.1	60	60.5	30
12359							35
12360							40
12361G							18*
12361	10	125.0	123.2	104.0	75	66.4	30
12362							35
12363							40
12364G							18*
12364	11	137.0	135.2	116.0	85	72.4	30
12365							35
12366							40
12367G							18*
12367	12	149.0	147.2	127.9	90	78.4	30
12368							35
12369							40

* Plain Bore

SPROCKETS and IDLER WHEELS for series 882 BEVEL - 882 TAB

882 M - 8257 - LBP 8257 - LBP 882 M - LBP 882 TAB - 8257 VG - 882 TAB VG - 882 M VG



SPLIT SPROCKETS

Material: reinforced polyamide, screws in stainless steel, nuts in nickel plated brass, DIN 6885 key seat.



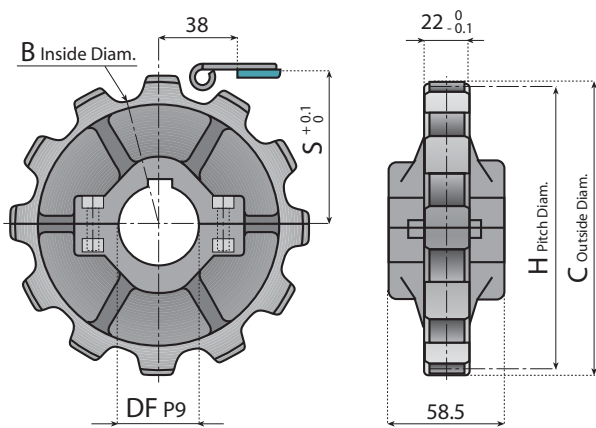
For tolerances and dimensions see pages 332 - 333



For chains type see pages 58 → 60
64-68 → 73-78-83-84



For chemical resistance see pages 336 - 337



CODE	Z	B mm	C mm	H mm	S mm	DF mm
121009	10	104	125	123.3	65.4	25
121010						30
121011						35
121012						40
12114	12	128	149.2	147.2	78.4	25
12115						30
12116						35
12117						40



SPLIT IDLER WHEELS

Material: polyamide, screws in stainless steel, nut in nickel plated brass.



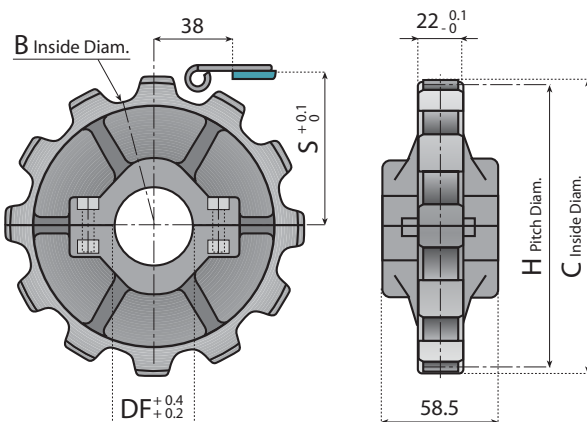
For tolerances and dimensions see pages 332 - 333



For chains type see pages 58 → 60
64-68 → 73-78-83-84



For chemical resistance see pages 336 - 337



CODE	Z	B mm	C mm	H mm	S mm	DF mm
121013	10	104	125	123.3	65.4	25
121014						30
121015						35
121016						40
12119	12	128	149.2	147.2	78.4	25
12120						30
12121						35
12122						40

IDLER WHEELS for series

882 TAB - LBP 882 TAB - 882 TAB VG



Features:

- Excellent wear and chemical resistance.
- Reduced noise level, quiet operation.
- Reinforced design.
- Completely closed structure, easier to clean and to disinfect.
- Recyclable.
- Convenient.



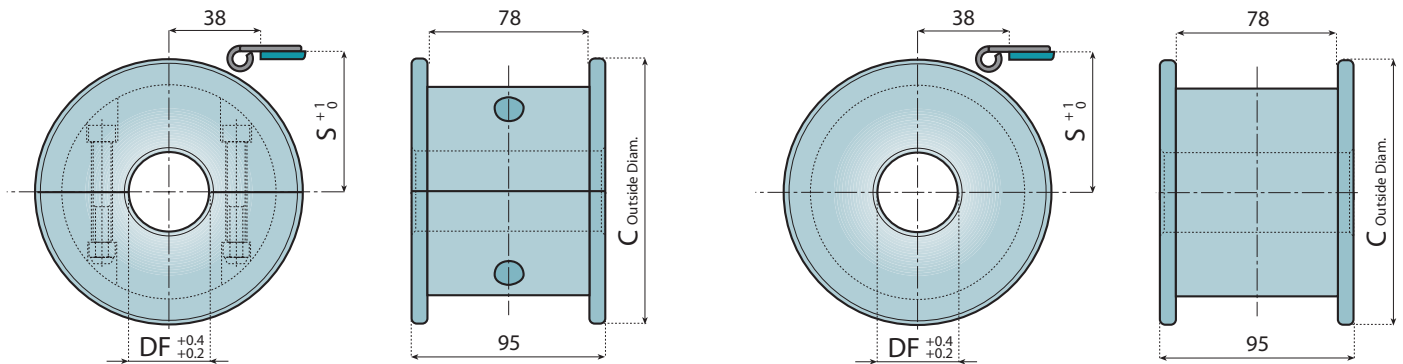
For tolerances and dimensions see pages 332 - 333



For chains type see pages 59 - 68 - 83



For chemical resistance see pages 336 - 337



SPLIT IDLER WHEELS

Material: polyamide, screws in stainless steel.



STANDARD IDLER WHEELS

Material: polyamide.

CODE	Z equiv.	C mm	S mm	DF mm
121487				20
121488				25
121489	9	117.0	63.8	30
121490				35
121491				40
121492				20
121493				25
121494	10	129.8	69.5	30
121495				35
121496				40
121497				20
121498				25
121499	11	142.2	75.9	30
121500				35
121501				40
121502				20
121503				25
121504	12	154.7	82.1	30
121505				35
121506				40

CODE	Z equiv.	C mm	S mm	DF mm
121507				20
121508				25
121509	9	117.0	63.8	30
121510				35
121511				40
121512				20
121513				25
121514	10	129.8	69.5	30
121515				35
121516				40
121517				20
121518				25
121519	11	142.2	75.9	30
121520				35
121521				40
121522				20
121523				25
121524	12	154.7	82.1	30
121525				35
121526				40

IDLER WHEELS for series

882 M - 8257 - LBP 8257 - LBP 882 M - 8257 VG - 882 M VG



Features:

- Excellent wear and chemical resistance.
- Reduced noise level and quiet operation
- Reinforced design.
- Completely closed structure, easier to clean and to disinfect
- Recyclable.
- Quickly replaceable.
- Convenient



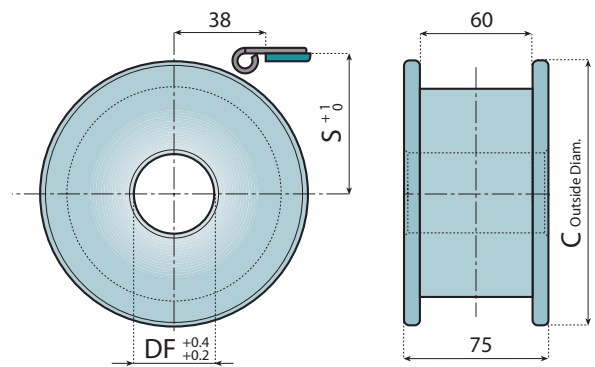
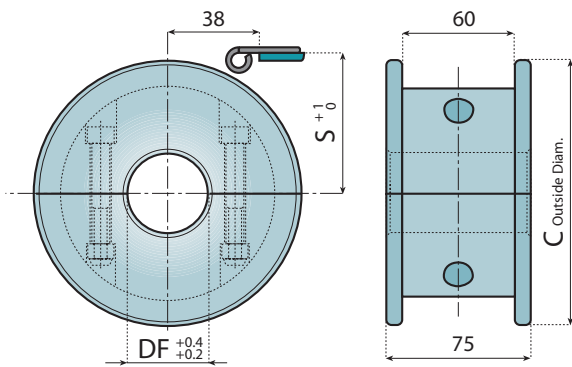
For tolerances and dimensions see pages 332 - 333



For chains type see pages 60-64-72-78-84



For chemical resistance see pages 336 - 337



SPLIT IDLER WHEELS

Material: polyamide, screws in stainless steel.



STANDARD IDLER WHEELS

Material: polyamide.

CODE	Z equiv.	C mm	S mm	DF mm
121377	17	104.0	56.2	20
121378				25
121379				30
121380				35
121381				40
121382	19	117.0	62.6	20
121383				25
121384				30
121385				35
121386				40
121387	21	129.8	68.6	20
121388				25
121389				30
121390				35
121391				40
121392	23	142.2	74.6	20
121393				25
121394				30
121395				35
121396				40
121397	25	154.7	80.5	20
121398				25
121399				30
121400				35
121401				40
121402	27	167.2	86.5	20
121403				25
121404				30
121405				35
121406				40
121407	29	179.3	92.8	20
121408				25
121409				30
121410				35
121411				40

CODE	Z equiv.	C mm	S mm	DF mm
121412	17	104.0	56.2	20
121413				25
121414				30
121415				35
121416				40
121417	19	117.0	62.6	20
121418				25
121419				30
121420				35
121421				40
121422	21	129.8	68.6	20
121423				25
121424				30
121425				35
121426				40
121427	23	142.2	74.6	20
121428				25
121429				30
121430				35
121431				40
121432	25	154.7	80.5	20
121433				25
121434				30
121435				35
121436				40
121437	27	167.2	86.5	20
121438				25
121439				30
121440				35
121441				40
121442	29	179.3	92.8	20
121443				25
121444				30
121445				35
121446				40

IDLER WHEELS for series

882 M - 8257 - LBP 8257 - LBP 882 M - 8257 VG - 882 M VG



IDLER WHEELS

Material: self-lubricating polyamide,
screws in zinc plated steel.



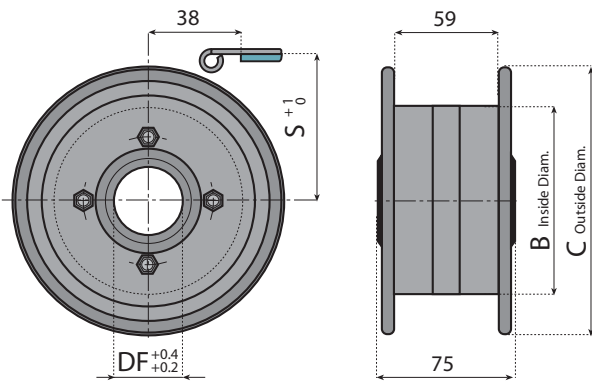
For tolerances and dimensions see pages 332 - 333



For chains type see pages 60-64-72-78-84



For chemical resistance see pages 336 - 337



CODE	Z equiv.	B mm	C mm	S mm	DF mm
121600					25
121601					30
121602	19	80	118	62.6	35
121603					40
121604					25
121605					30
121606	21	80	129.8	68.6	35
121607					40
121608					25
121609					30
121610	23	108	142.5	74.6	35
121611					40
121612					25
121613					30
121614	25	108	155	80.5	35
121615					40

IDLER WHEELS for series

882 TAB - LBP 882 TAB - 882 TAB VG



IDLER WHEELS

Material: self-lubricating polyamide,
screws in zinc plated steel.



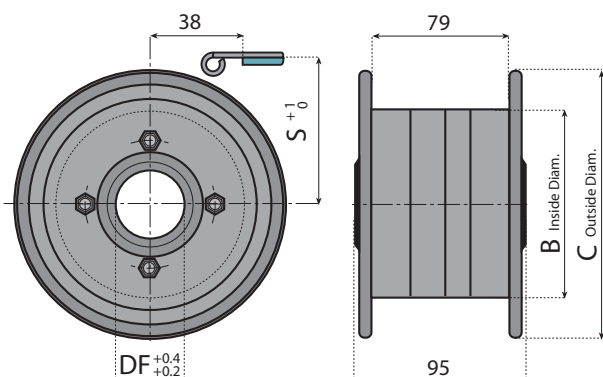
For tolerances and dimensions see pages 332 - 333



For chains type see pages 59 - 68 - 83



For chemical resistance see pages 336 - 337



CODE	Z equiv.	B mm	C mm	S mm	DF mm
121648					25
121649					30
121650	10	80	129.8	68.6	35
121651					40
121652					25
121653					30
121654	12	108	155	80.5	35
121655					40