



SPROCKETS for series 828 - 878 TAB - 878 TAB VG - 879 879 TAB - 879 M - 879 M VG - 879 TAB VG - 880 - 880 TAB - 880 M




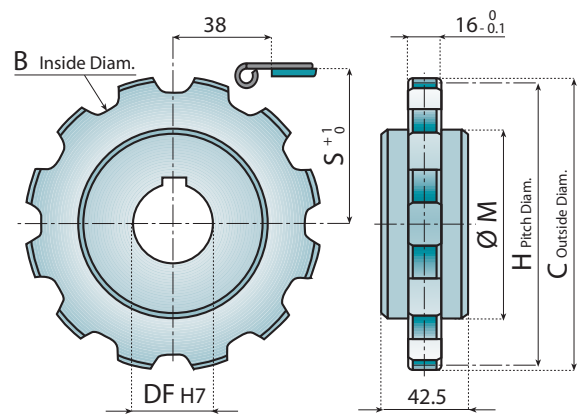
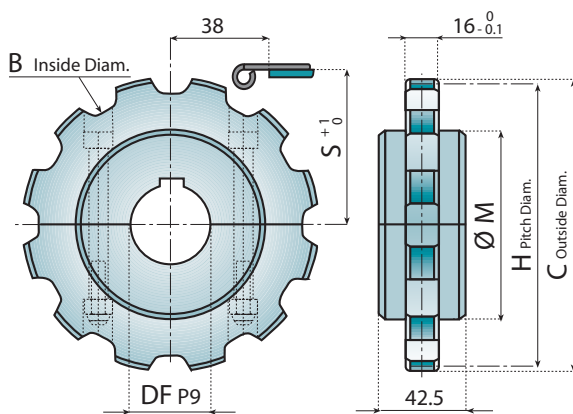
Features:

- Excellent wear and chemical resistance.
- Reduced noise level and quiet operation.
- Reinforced design.
- Completely closed structure, easier to clean and to disinfect.
- Increased keyway strength.
- Quickly replaceable.

 For tolerances and dimensions see pages 332 - 333

 For chains type see pages 47 - 54 → 57 80 → 82

 For chemical resistance see pages 336 - 337



SPLIT SPROCKETS

Material: polyamide, screws in stainless steel, DIN 6885 key seat.

Notes: special shape of teeth compensates natural chain lengthening after prolonged use.



STANDARD SPROCKETS

Material: polyamide, DIN 6885 key seat.

Notes: special shape of teeth compensates natural chain lengthening after prolonged use.

CODE	Z	C mm	H mm	B mm	M mm	S mm	DF mm
12910							18*
12382							25
12383	9	110.0	111.4	95	75	59.30	30
12384							35
12385							40
12911							18*
12386							25
12387	10	122.0	123.3	107	85	65.25	30
12388							35
12389							40
12912							18*
12390							25
12391	11	135.0	135.2	119	90	71.20	30
12392							35
12393							40
12913							18*
12394							25
12395	12	147.3	147.2	131	95	77.20	30
12396							35
12397							40

CODE	Z	C mm	H mm	B mm	M mm	S mm	DF mm
12398							25
12399	9	110.0	111.4	95	75	59.30	30
12407							35
12408							40
12409							25
12410	10	122.0	123.3	107	85	65.25	30
12411							35
12412							40
12413							25
12414	11	135.0	135.2	119	90	71.20	30
12415							35
12416							40
12417							25
12418	12	147.3	147.2	131	95	77.20	30
12419							35
12420							40

* Plain Bore

IDLER WHEELS for series 828 - 878 TAB - 878 TAB VG - 879 879 TAB - 879 M - 879 M VG - 879 TAB VG - 880 - 880 TAB - 880 M



Features:

- Excellent wear and chemical resistance.
- Reduced noise level and quiet operation.
- Reinforced design.
- Completely closed structure, easier to clean and to disinfect.
- Recyclable.
- Quicly replaceable.



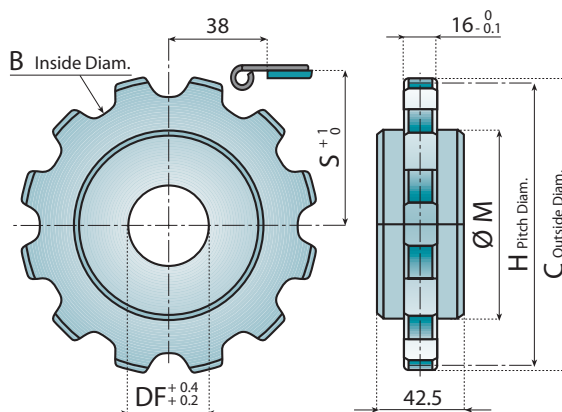
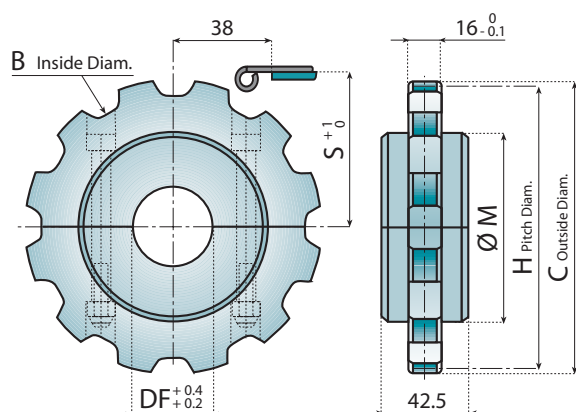
For tolerances and dimensions see pages 332 - 333



For chains type see pages 47 - 54 → 57
80 → 82



For chemical resistance see pages 336 - 337



SPLIT IDLER WHEELS

Material: polyamide, screws in stainless steel.
Notes: special shape of teeth compensates natural chain lengthening after prolonged use.



STANDARD IDLER WHEELS

Material: polyamide.
Notes: special shape of teeth compensates natural chain lengthening after prolonged use.

CODE	Z	C mm	H mm	B mm	M mm	S mm	DF mm
121752							25
121753	9	110.0	111.4	95	75	59.30	30
121754							35
121755							40
121756							25
121757	10	122.0	123.3	107	85	65.25	30
121758							35
121759							40
121760							25
121761	11	135.0	135.2	119	90	71.20	30
121762							35
121763							40
121764							25
121765	12	147.3	147.2	131	95	77.20	30
121766							35
121767							40

CODE	Z	C mm	H mm	B mm	M mm	S mm	DF mm
12421G							18*
12421	9	110.0	111.4	95	75	59.30	25
12422							30
12423							35
12424							40
12425G							18*
12425	10	122.0	123.3	107	85	65.25	25
12426							30
12427							35
12428							40
12429G							18*
12429	11	135.0	135.2	119	90	71.20	25
12430							30
12431							35
12432							40
12433G							18*
12433	12	147.3	147.2	131	95	77.20	25
12434							30
12435							35
12436							40

* Plain Bore

SPROCKETS and IDLER WHEELS for series 828 - 878 TAB

878 TAB VG - 879 - 879 TAB - 879 M - 879 M VG - 879 TAB VG - 880 - 880 TAB - 880 M



SPLIT SPROCKETS

Material: reinforced polyamide, screws in stainless steel, nuts in nickel plated brass, DIN 6885 key seat.



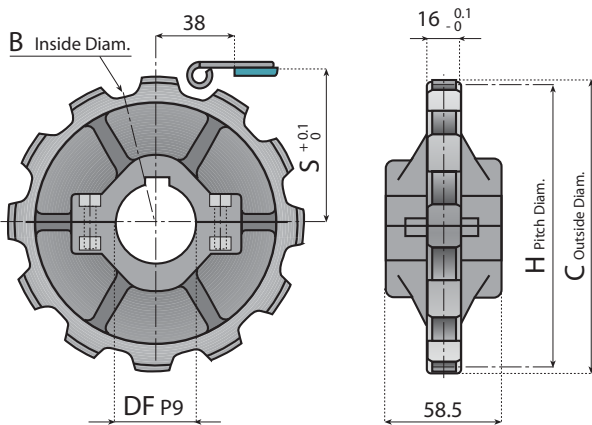
For tolerances and dimensions see pages 332 - 333



For chains type see pages 47 - 54 → 57 80 → 82



For chemical resistance see pages 336 - 337



CODE	Z	B mm	C mm	H mm	S mm	DF mm
121001	10	107	122	123.3	65.25	25
121002						30
121003						35
121004						40
12400	12	131	147	146.8	77.20	25
12711						30
12401						35
12402						40



SPLIT IDLER WHEELS

Material: polyamide, screws in stainless steel, nut in nickel plated brass.



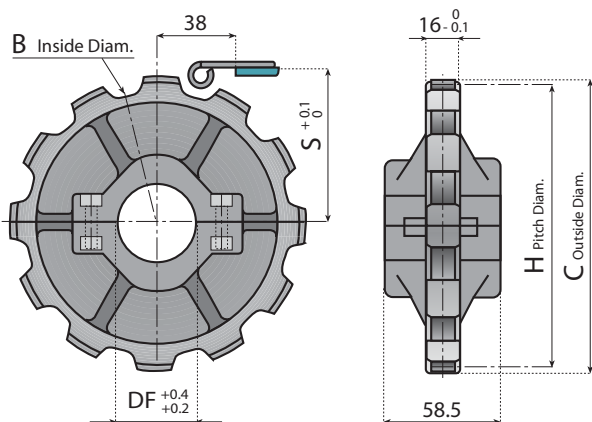
For tolerances and dimensions see pages 332 - 333



For chains type see pages 47 - 54 → 57 80 → 82




For chemical resistance see pages 336 - 337





CODE	Z	B mm	C mm	H mm	S mm	DF mm
121005	10	107	122	123.3	65.25	25
121006						30
121007						35
121008						40
12403	12	131	147	146.8	77.20	25
12404						30
12405						35
12406						40

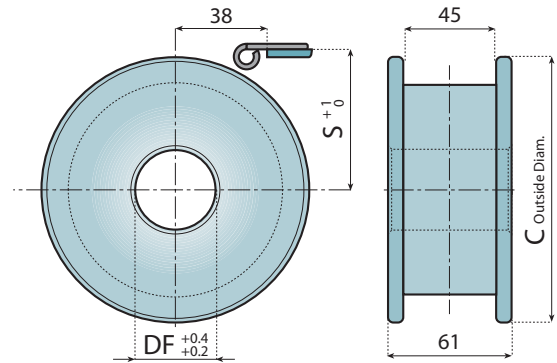
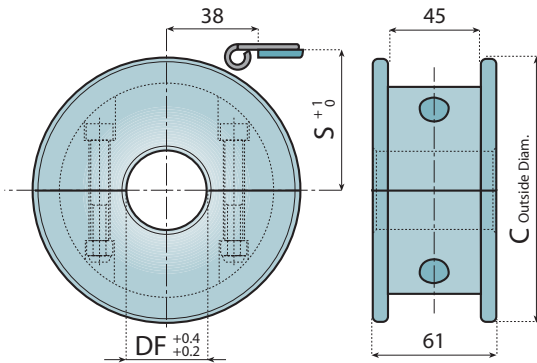
IDLER WHEELS for series 828 - 879 - 879 M - 880 M VG - 880 - 880 M



 For tolerances and dimensions see pages 332 - 333

 For chains type see pages 47 - 54 - 57 - 82

 For chemical resistance see pages 336 - 337



Features:

- Excellent wear and chemical resistance.
- Reduced noise level, quiet operation.
- Reinforced design.
- Completely closed structure, easier to clean and to disinfect.
- Recyclable.
- Quickly replaceable.

Features:

- Excellent wear and chemical resistance.
- Reduced noise level, quiet operation.
- Reinforced execution.
- Completely closed structure, easier to clean and to disinfect.
- Recyclable.
- Convenient.



SPLIT IDLER WHEELS

Material: polyamide, screws in stainless steel.



STANDARD IDLER WHEELS

Material: polyamide.


CODE	Z equiv.	C mm	S mm	DF mm
12613				20
12614				25
12615	9	117.0	62.6	30
12616				35
12618				40
12617				20
12619				25
12620	10	129.8	68.6	30
12621				35
12622				40
12623				20
12624				25
12625	11	142.2	74.6	30
12626				35
12627				40
12628				20
12629				25
12630	12	154.7	80.5	30
12631				35
12632				40


CODE	Z equiv.	C mm	S mm	DF mm
12638				20
12639				25
12640	9	117.0	62.6	30
12641				35
12642				40
12643				20
12644				25
12645	10	129.8	68.6	30
12646				35
12647				40
12648				20
12649				25
12650	11	142.2	74.6	30
12651				35
12652				40
12653				20
12654				25
12655	12	154.7	80.5	30
12656				35
12657				40


IDLER WHEELS for series

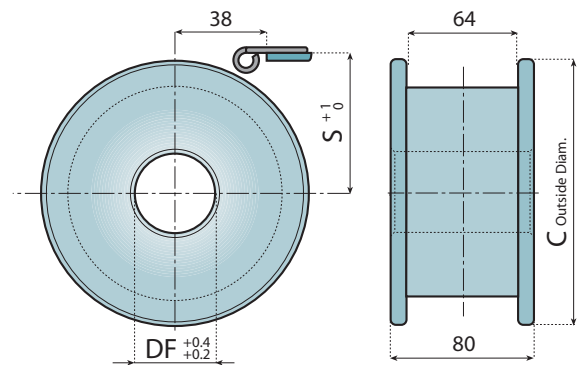
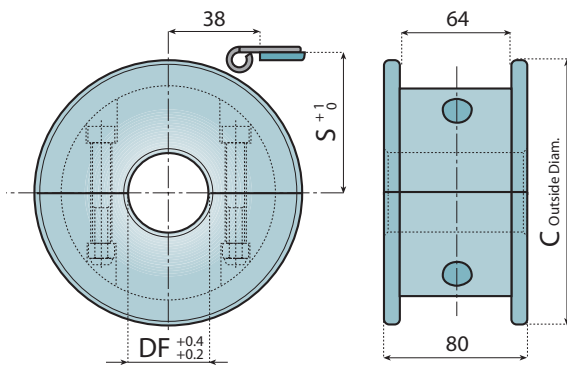
878 TAB - 878 TAB VG - 879 TAB - 879 TAB VG - 880 TAB



 For tolerances and dimensions see pages 332 - 333

 For chains type see pages 55 - 56 - 80 - 81

 For chemical resistance see pages 336 - 337



Features:

- Excellent wear and chemical resistance.
- Reduced noise level and quiet operation.
- Reinforced design.
- Completely closed structure, easier to clean and to disinfect.
- Recyclable.
- Quickly replaceable.

Features:

- Excellent wear and chemical resistance.
- Reduced noise level and quiet operation.
- Reinforced design.
- Completely closed structure, easier to clean and to disinfect.
- Recyclable.
- Convenient.



SPLIT IDLER WHEELS

Material: polyamide, screws in stainless steel.



STANDARD IDLER WHEELS

Material: polyamide.

CODE	Z equiv.	C mm	S mm	DF mm
121447	9	117.0	62.1	20
121448				25
121449				30
121450				35
121451				40
121452	10	129.8	68.5	20
121453				25
121454				30
121455				35
121456				40
121457	11	142.2	74.7	20
121458				25
121459				30
121460				35
121461				40
121462	12	154.7	80.9	20
121463				25
121464				30
121465				35
121466				40

CODE	Z equiv.	C mm	S mm	DF mm
121467	9	117.0	62.1	20
121468				25
121469				30
121470				35
121471				40
121472	10	129.8	68.5	20
121473				25
121474				30
121475				35
121476				40
121477	11	142.2	74.7	20
121478				25
121479				30
121480				35
121481				40
121482	12	154.7	80.9	20
121483				25
121484				30
121485				35
121486				40

IDLER WHEELS



IDLER WHEELS

Material: self-lubricating polyamide, screws in zinc plated steel.

Application: chains series
879 - 879 M - 879 M VG - 880 - 880 M



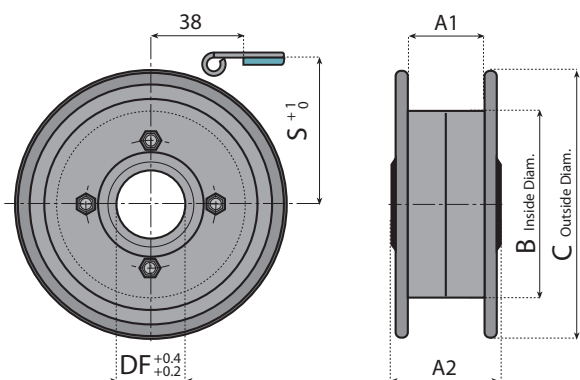
For tolerances and dimensions see pages 332 - 333



For chains type see pages 55 - 56 - 80 - 81



For chemical resistance see pages 336 - 337



CODE	Z equiv.	A1 mm	A2 mm	B mm	C mm	S mm	DF mm
12278	8	44	52	71	106	56.2	25
12279							30
12680	9	44	60	80	118	62.6	25
12681							30
12682							35
12683							40
12684	10	44	60	80	129.8	68.6	25
12685							30
12686							35
12687							40
12688	11	44	60	108	142.5	74.6	25
12689							30
12690							35
12691							40
12692	12	44	60	108	155	80.5	25
12693							30
12694							35
12695							40



IDLER WHEELS

Material: self-lubricating polyamide, screws in zinc plated steel.

Application: chains series
878 TAB - 878 TAB VG - 879 TAB
879 TAB VG - 880 TAB



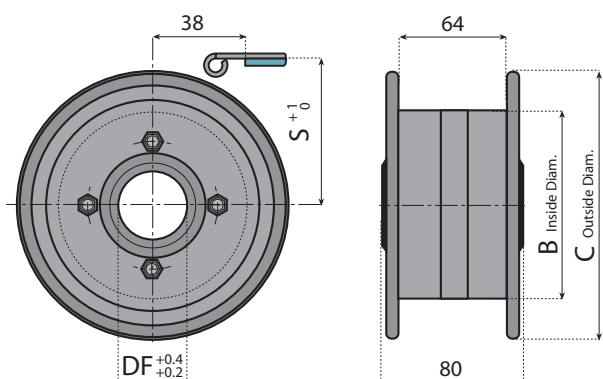
For tolerances and dimensions see pages 332 - 333



For chains type see pages 55 - 56 - 80 - 81

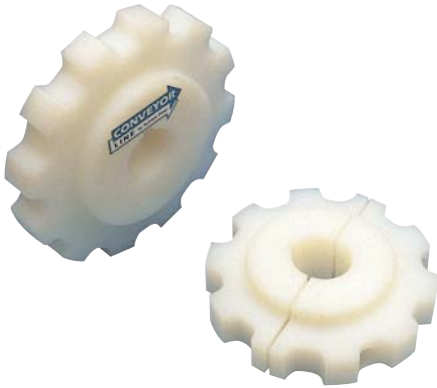


For chemical resistance see pages 336 - 337



CODE	Z equiv.	B mm	C mm	S mm	DF mm
12310	9	80	118	62.6	25
12311					30
12312					35
12313					40
12314	10	80	129.8	68.6	25
12315					30
12316					35
12317					40
12318	11	108	142.5	74.6	25
12319					30
12320					35
12321					40
12322	12	108	155	80.5	25
12323					30
12324					35
12325					40

SPROCKETS for series 882 BEVEL - 882 TAB - 882 M - 8257 LBP 8257 - LBP 882 M - LBP 882 TAB - 8257 VG - 882 TAB VG - 882 M VG



Features:

- Excellent wear and chemical resistance.
- Reduced noise level and quiet operation.
- Reinforced design.
- Completely closed structure, easier to clean and to disinfect.
- Increased keyway strength.
- Quickly replaceable.



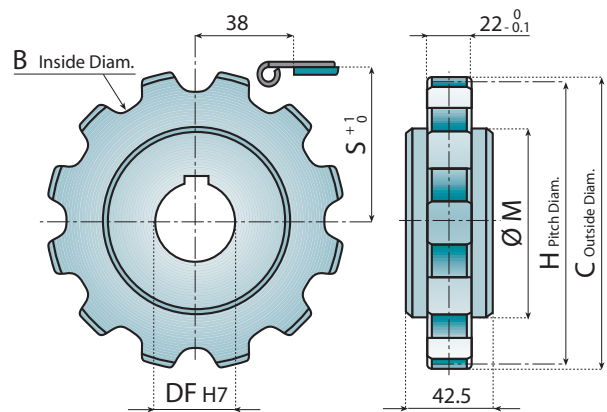
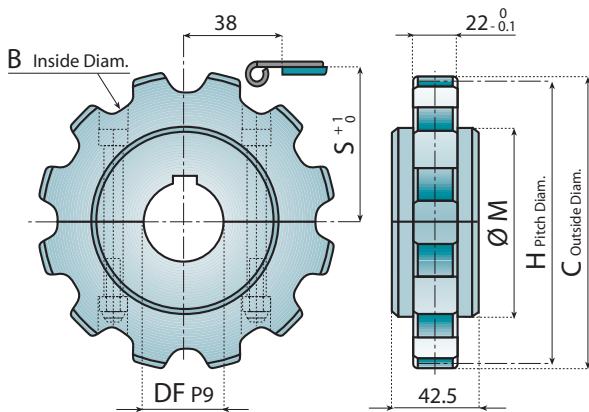
For tolerances and dimensions see pages 332 - 333



For chains type see pages 58 → 60
64-68 → 73-78-83-84



For chemical resistance see pages 336 - 337



SPLIT SPROCKETS

Material: polyamide, screws in stainless steel, DIN 6885 key seat.

Notes: special shape of teeth compensates natural chain lengthening after prolonged use.



STANDARD SPROCKETS

Material: polyamide, DIN 6885 key seat.

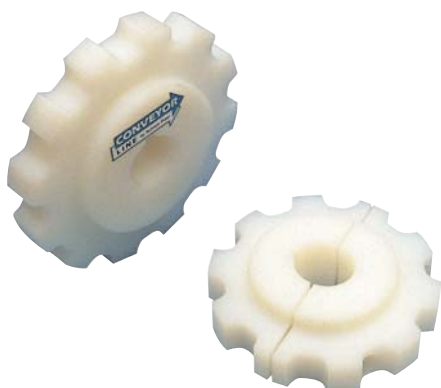
Notes: special shape of teeth compensates natural chain lengthening after prolonged use.

CODE	Z	C mm	H mm	B mm	M mm	S mm	DF mm
12914	9	112.0	111.4	92.1	60	60.5	18*
12346							30
12347							35
12348							40
12915	10	125.0	123.2	104.0	75	66.4	18*
12349							30
12350							35
12351							40
12916	11	137.0	135.2	116.0	85	72.4	18*
12352							30
12353							35
12354							40
12917	12	149.0	147.2	127.9	90	78.4	18*
12355							30
12356							35
12357							40

CODE	Z	C mm	H mm	B mm	M mm	S mm	DF mm
12370	9	112.0	111.4	92.1	60	60.5	30
12371							35
12372							40
12373							30
12374	10	125.0	123.2	104.0	75	66.4	35
12375							40
12376							30
12377	11	137.0	135.2	116.0	85	72.4	35
12378							40
12379							30
12380	12	149.0	147.2	127.9	90	78.4	35
12381							40

* Plain Bore

IDLER WHEELS for series 882 BEVEL - 882 TAB - 882 M - 8257 LBP 8257 - LBP 882 M - LBP 882 TAB - 8257 VG - 882 TAB VG - 882 M VG



Features:

- Excellent wear and chemical resistance.
- Reduced noise level and quiet operation.
- Reinforced design.
- Completely closed structure, easier to clean and to disinfect.
- Quickly replaceable.



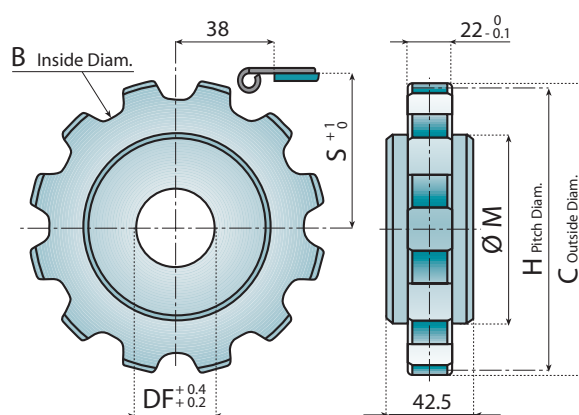
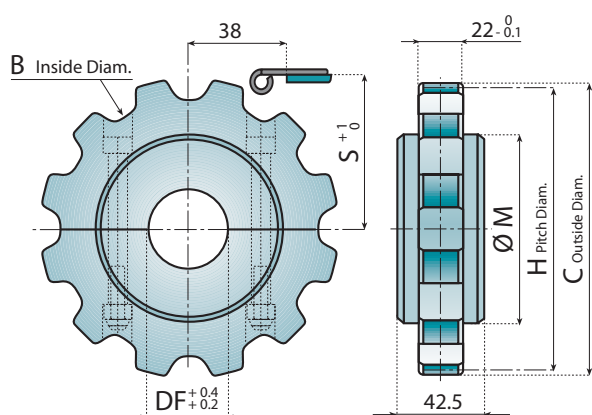
For tolerances and dimensions see pages 332 - 333



For chains type see pages 58 → 60
64-68→73-78-83-84



For chemical resistance see pages 336 - 337



SPLIT IDLER WHEELS

Material: polyamide, screws in stainless steel.

Notes: special shape of teeth compensates natural chain lengthening after prolonged use.



STANDARD IDLER WHEELS

Material: polyamide.

Notes: special shape of teeth compensates natural chain lengthening after prolonged use.

CODE	Z	C mm	H mm	B mm	M mm	S mm	DF mm
121768							30
121769	9	112.0	111.4	92.1	60	60.5	35
121770							40
121771							30
121772	10	125.0	123.2	104.0	75	66.4	35
121773							40
121774							30
121775	11	137.0	135.2	116.0	85	72.4	35
121776							40
121777							30
121778	12	149.0	147.2	127.9	90	78.4	35
121779							40

CODE	Z	C mm	H mm	B mm	M mm	S mm	DF mm
12358G							18*
12358	9	112.0	111.4	92.1	60	60.5	30
12359							35
12360							40
12361G							18*
12361	10	125.0	123.2	104.0	75	66.4	30
12362							35
12363							40
12364G							18*
12364	11	137.0	135.2	116.0	85	72.4	30
12365							35
12366							40
12367G							18*
12367	12	149.0	147.2	127.9	90	78.4	30
12368							35
12369							40

* Plain Bore

SPROCKETS and IDLER WHEELS for series 882 BEVEL - 882 TAB

882 M - 8257 - LBP 8257 - LBP 882 M - LBP 882 TAB - 8257 VG - 882 TAB VG - 882 M VG



SPLIT SPROCKETS

Material: reinforced polyamide, screws in stainless steel, nuts in nickel plated brass, DIN 6885 key seat.



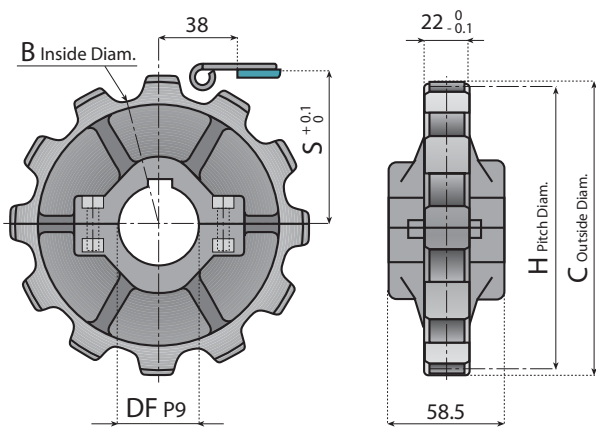
For tolerances and dimensions see pages 332 - 333



For chains type see pages 58 → 60
64-68 → 73-78-83-84



For chemical resistance see pages 336 - 337



CODE	Z	B mm	C mm	H mm	S mm	DF mm
121009						25
121010	10	104	125	123.3	65.4	30
121011						35
121012						40
12114						25
12115	12	128	149.2	147.2	78.4	30
12116						35
12117						40



SPLIT IDLER WHEELS

Material: polyamide, screws in stainless steel, nut in nickel plated brass.



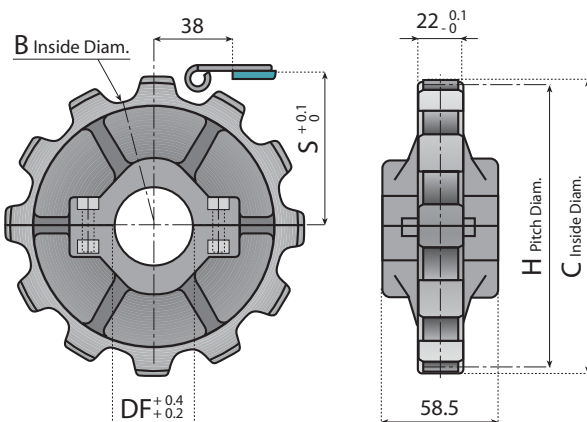
For tolerances and dimensions see pages 332 - 333



For chains type see pages 58 → 60
64-68 → 73-78-83-84



For chemical resistance see pages 336 - 337



CODE	Z	B mm	C mm	H mm	S mm	DF mm
121013						25
121014	10	104	125	123.3	65.4	30
121015						35
121016						40
12119						25
12120	12	128	149.2	147.2	78.4	30
12121						35
12122						40

IDLER WHEELS for series 882 TAB - LBP 882 TAB - 882 TAB VG



Features:

- Excellent wear and chemical resistance.
- Reduced noise level, quiet operation.
- Reinforced design.
- Completely closed structure, easier to clean and to disinfect.
- Recyclable.
- Convenient.



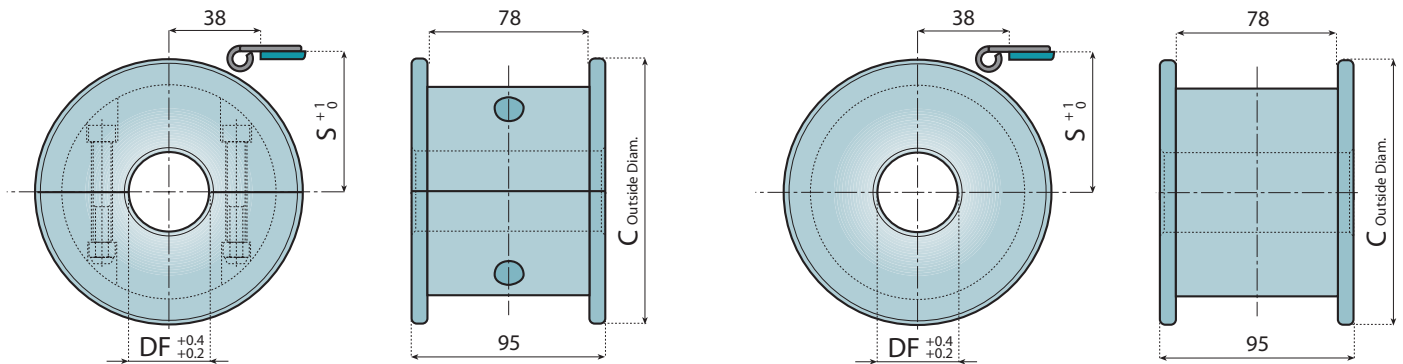
For tolerances and dimensions see pages 332 - 333



For chains type see pages 59 - 68 - 83



For chemical resistance see pages 336 - 337



SPLIT IDLER WHEELS

Material: polyamide, screws in stainless steel.



STANDARD IDLER WHEELS

Material: polyamide.

CODE	Z equiv.	C mm	S mm	DF mm
121487				20
121488				25
121489	9	117.0	63.8	30
121490				35
121491				40
121492				20
121493				25
121494	10	129.8	69.5	30
121495				35
121496				40
121497				20
121498				25
121499	11	142.2	75.9	30
121500				35
121501				40
121502				20
121503				25
121504	12	154.7	82.1	30
121505				35
121506				40

CODE	Z equiv.	C mm	S mm	DF mm
121507				20
121508				25
121509	9	117.0	63.8	30
121510				35
121511				40
121512				20
121513				25
121514	10	129.8	69.5	30
121515				35
121516				40
121517				20
121518				25
121519	11	142.2	75.9	30
121520				35
121521				40
121522				20
121523				25
121524	12	154.7	82.1	30
121525				35
121526				40

IDLER WHEELS for series

882 M - 8257 - LBP 8257 - LBP 882 M - 8257 VG - 882 M VG



Features:

- Excellent wear and chemical resistance.
- Reduced noise level and quiet operation
- Reinforced design.
- Completely closed structure, easier to clean and to disinfect
- Recyclable.
- Quickly replaceable.
- Convenient



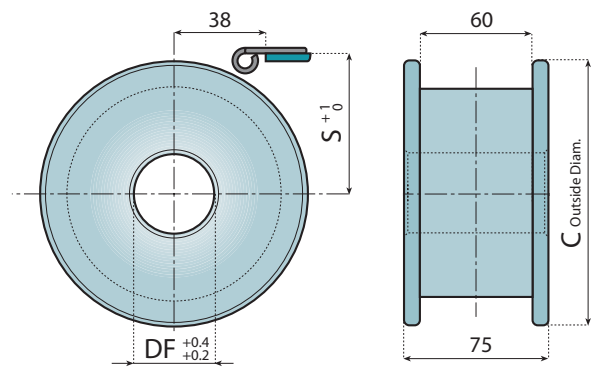
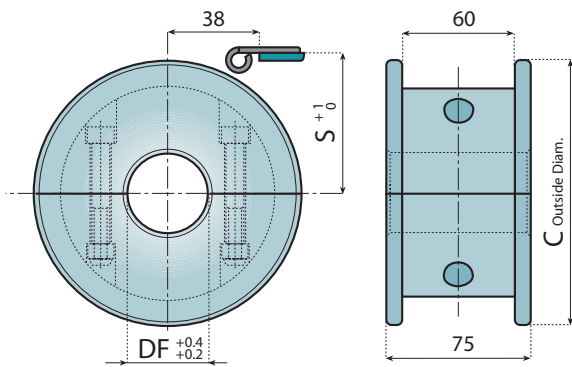
For tolerances and dimensions see pages 332 - 333



For chains type see pages 60-64-72-78-84



For chemical resistance see pages 336 - 337



SPLIT IDLER WHEELS

Material: polyamide, screws in stainless steel.



STANDARD IDLER WHEELS

Material: polyamide.

CODE	Z equiv.	C mm	S mm	DF mm
121377	17	104.0	56.2	20
121378				25
121379				30
121380				35
121381				40
121382	19	117.0	62.6	20
121383				25
121384				30
121385				35
121386				40
121387	21	129.8	68.6	20
121388				25
121389				30
121390				35
121391				40
121392	23	142.2	74.6	20
121393				25
121394				30
121395				35
121396				40
121397	25	154.7	80.5	20
121398				25
121399				30
121400				35
121401				40
121402	27	167.2	86.5	20
121403				25
121404				30
121405				35
121406				40
121407	29	179.3	92.8	20
121408				25
121409				30
121410				35
121411				40

CODE	Z equiv.	C mm	S mm	DF mm
121412	17	104.0	56.2	20
121413				25
121414				30
121415				35
121416				40
121417	19	117.0	62.6	20
121418				25
121419				30
121420				35
121421				40
121422	21	129.8	68.6	20
121423				25
121424				30
121425				35
121426				40
121427	23	142.2	74.6	20
121428				25
121429				30
121430				35
121431				40
121432	25	154.7	80.5	20
121433				25
121434				30
121435				35
121436				40
121437	27	167.2	86.5	20
121438				25
121439				30
121440				35
121441				40
121442	29	179.3	92.8	20
121443				25
121444				30
121445				35
121446				40

IDLER WHEELS for series

882 M - 8257 - LBP 8257 - LBP 882 M - 8257 VG - 882 M VG



IDLER WHEELS

Material: self-lubricating polyamide,
screws in zinc plated steel.



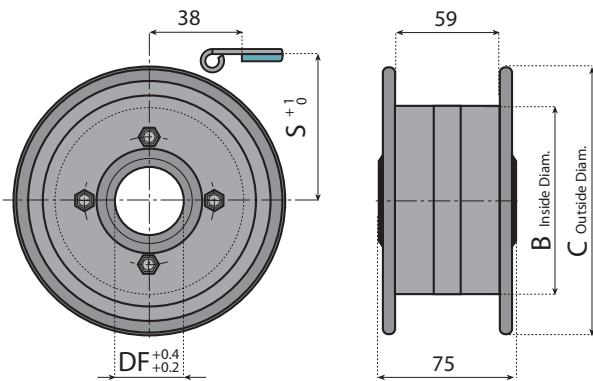
For tolerances and dimensions see pages 332 - 333



For chains type see pages 60-64-72-78-84



For chemical resistance see pages 336 - 337



CODE	Z equiv.	B mm	C mm	S mm	DF mm
121600					25
121601					30
121602	19	80	118	62.6	35
121603					40
121604					25
121605					30
121606	21	80	129.8	68.6	35
121607					40
121608					25
121609					30
121610	23	108	142.5	74.6	35
121611					40
121612					25
121613					30
121614	25	108	155	80.5	35
121615					40

IDLER WHEELS for series

882 TAB - LBP 882 TAB - 882 TAB VG



IDLER WHEELS

Material: self-lubricating polyamide,
screws in zinc plated steel.



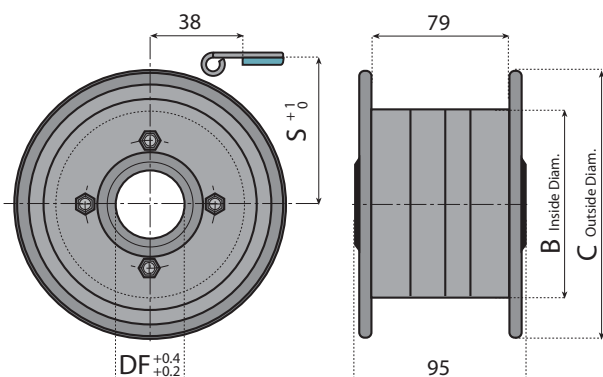
For tolerances and dimensions see pages 332 - 333



For chains type see pages 59 - 68 - 83



For chemical resistance see pages 336 - 337



CODE	Z equiv.	B mm	C mm	S mm	DF mm
121648					25
121649					30
121650	10	80	129.8	68.6	35
121651					40
121652					25
121653					30
121654	12	108	155	80.5	35
121655					40