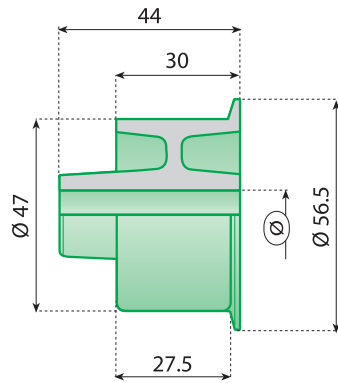


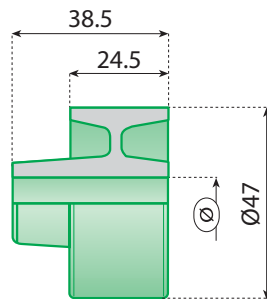
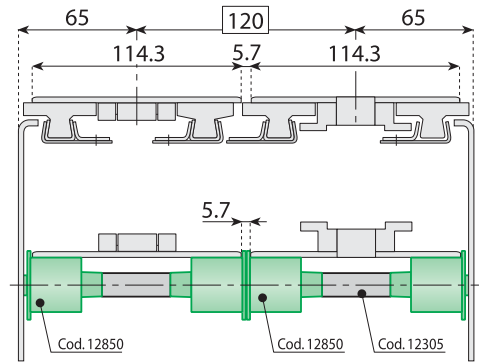
Chain return components



ROLLER

Material: High Density Polyethylene, self-lubricating.
Packaging: 100 pieces.

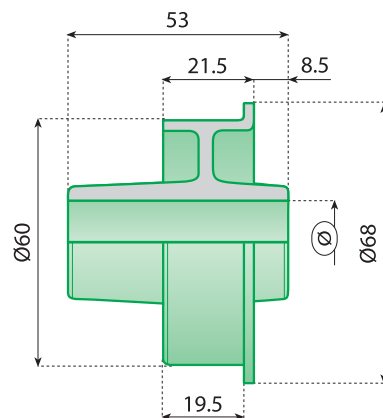
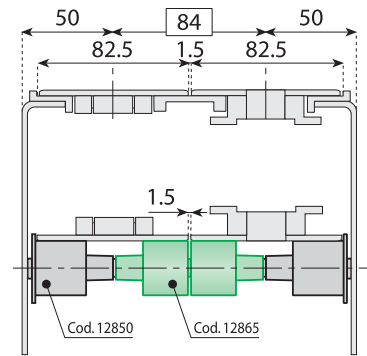
Code	Colour	For rod Ø
12850	Green	12



ROLLER

Material: High Density Polyethylene, self-lubricating.
Packaging: 100 pieces.

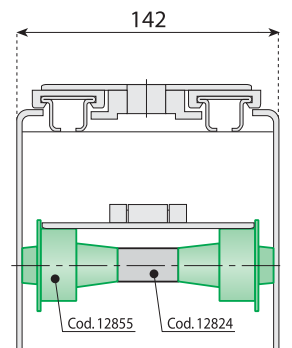
Code	Colour	For rod Ø
12865	Green	12



ROLLER

Material: High Density Polyethylene, self-lubricating.
Packaging: 100 pieces.

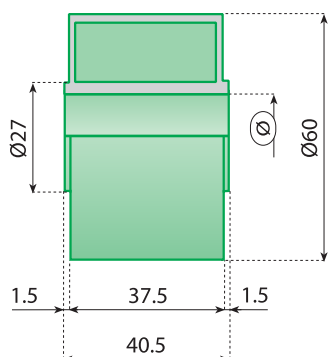
Code	Colour	For rod Ø
122110	Green	15
122109	Green	16
122108	Green	18
12855	Green	20



Chain return components



Polyethylene

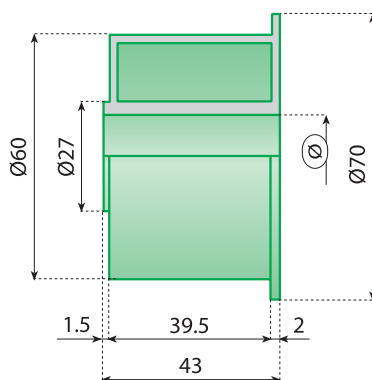
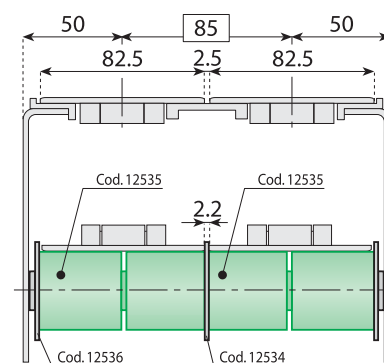


Code	Colour	For rod Ø
122113	Green	15
122112	Green	16
122111	Green	18
12535	Green	20

ROLLER

Material: High Density Polyethylene, self-lubricating.

Packaging: 100 pieces.

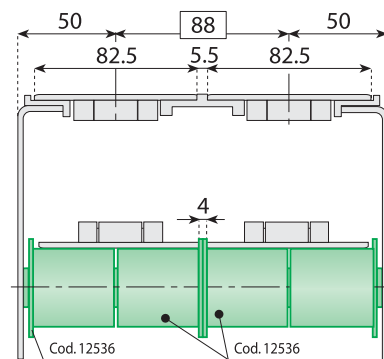


Code	Colour	For rod Ø
122116	Green	15
122115	Green	16
122114	Green	18
12536	Green	20

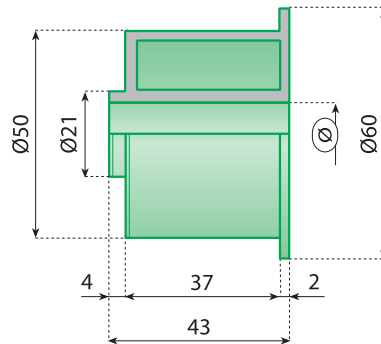
ROLLER

Material: High Density Polyethylene, self-lubricating.

Packaging: 100 pieces.



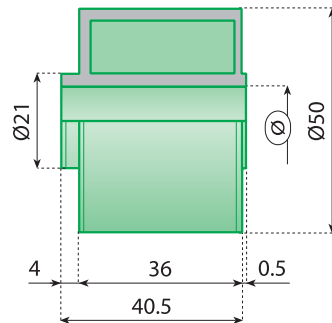
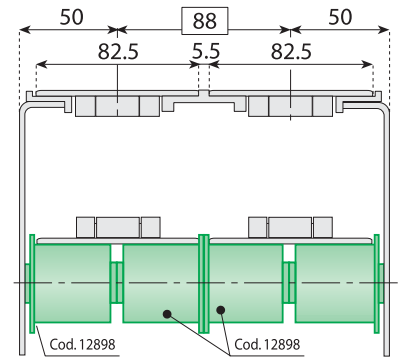
Chain return components



ROLLER

Material: High Density Polyethylene, self-lubricating.
Packaging: 100 pieces.

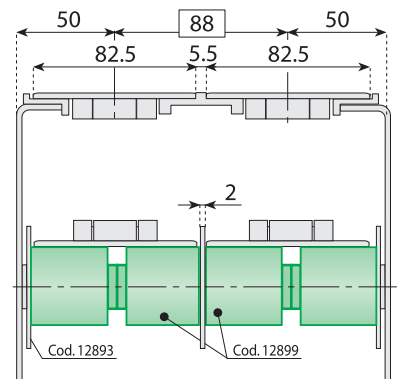
Code	Colour	For rod Ø
12898	Green	15



ROLLER

Material: High Density Polyethylene, self-lubricating.
Packaging: 100 pieces.

Code	Colour	For rod Ø
12899	Green	15



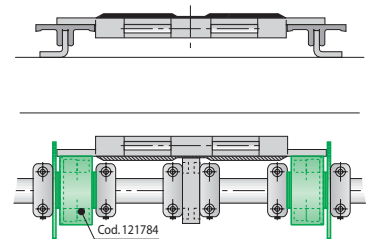
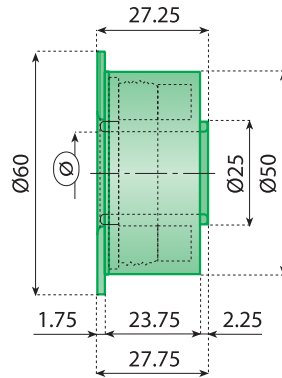
Chain return components



WATERTIGHT ROLLER

Characteristics:

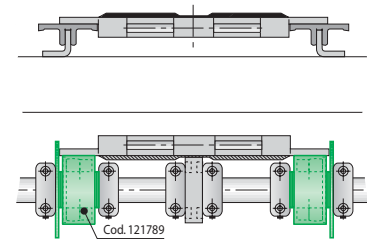
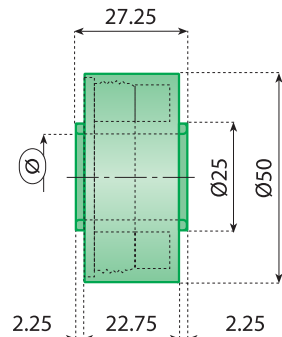
- Very low friction coefficient.
- No liquid absorption.
- Excellent wear and chemical resistance.
- Completely closed structure, easier to clean and disinfect.
- Watertight.



WATERTIGHT ROLLER WITH SIDE BORDER

Material: High Density Polyethylene, self-lubricating.
Packaging: 100 pieces.

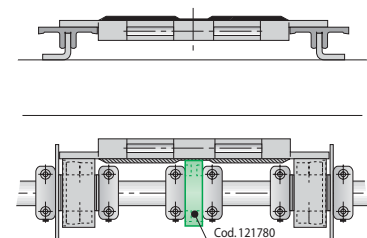
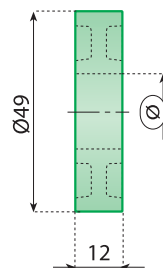
Code	Colour	For rod Ø
121784	Green	18
121785	Green	20



WATERTIGHT ROLLER

Material: High Density Polyethylene, self-lubricating.
Packaging: 100 pieces.

Code	Colour	For rod Ø
121789	Green	18
121787	Green	20

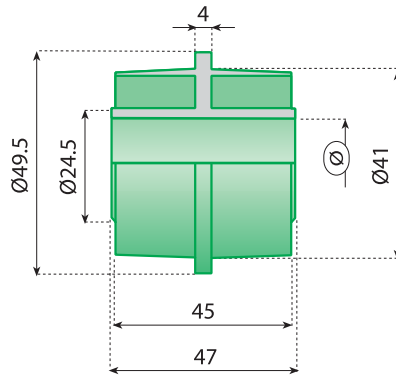


ROLLER

Material: High Density Polyethylene, self-lubricating.
Packaging: 100 pieces.

Code	Colour	For rod Ø
121780	Green	14
121781	Green	16
121782	Green	18
121783	Green	20

Chain return components

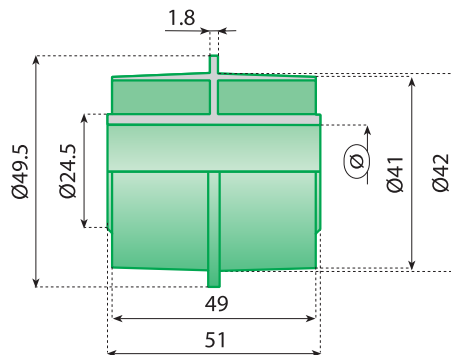
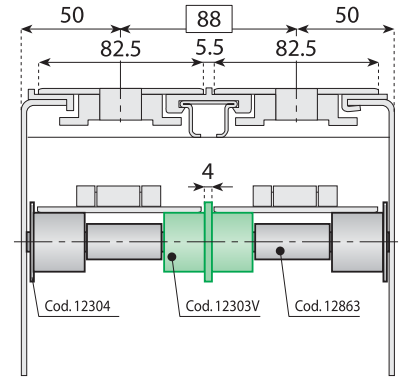


Code	Colour	For rod Ø
12303V	Green	12
12303N	Black	12
12307V	Green	16
12307N	Black	16
12815V	Green	18
12815N	Black	18
12820V	Green	20
12820N	Black	20

ROLLER

Material: High Density Polyethylene, self-lubricating.

Packaging: 100 pieces

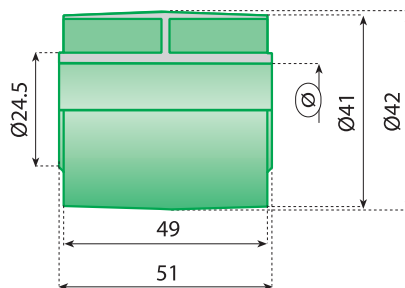
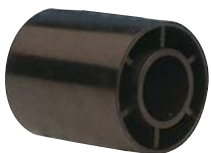
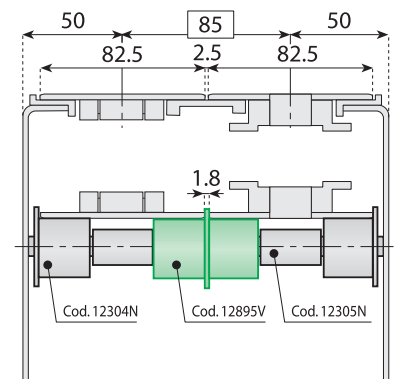


Code	Colour	For rod Ø
12895V	Green	12
12895N	Black	12
12896V	Green	16
12896N	Black	16
12897V	Green	18
12897N	Black	18
12862V	Green	20
12862N	Black	20

ROLLER

Material: High Density Polyethylene, self-lubricating.

Packaging: 100 pieces

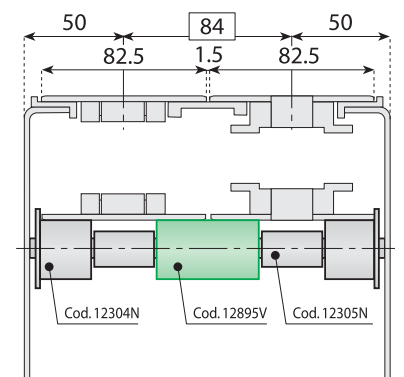


Code	Colour	For rod Ø
122117V	Green	12
122117N	Black	12
122118V	Green	16
122118N	Black	16
122119V	Green	18
122119N	Black	18
122120V	Green	20
122120N	Black	20

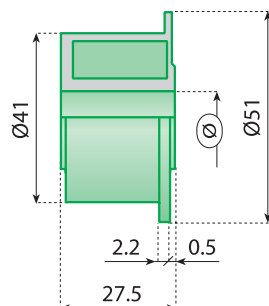
ROLLER

Material: High Density Polyethylene, self-lubricating.

Packaging: 100 pieces



Chain return components

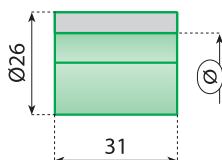
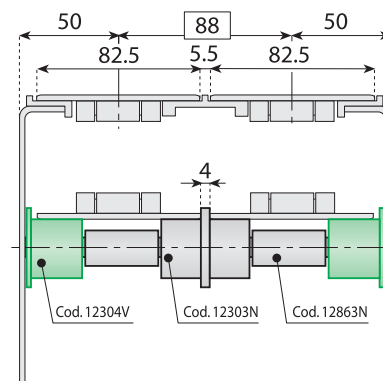


Code	Colour	For rod Ø
12304V	Green	12
12304N	Black	12
12827V	Green	16
12827N	Black	16
12821V	Green	18
12821N	Black	18
12822V	Green	20
12822N	Black	20

ROLLER

Material: High Density Polyethylene, self-lubricating.

Packaging: 100 pieces.

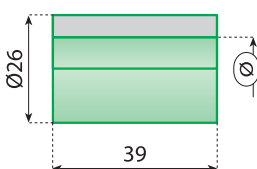
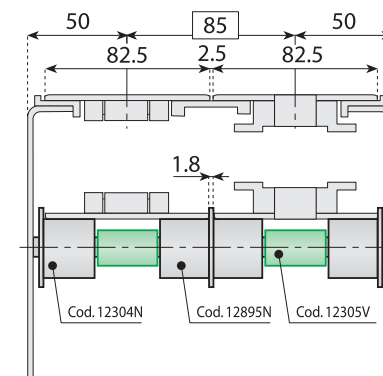


Code	Colour	For rod Ø
12305V	Green	12
12305N	Black	12
12828V	Green	16
12828N	Black	16
12823V	Green	18
12823N	Black	18
12824V	Green	20
12824N	Black	20

SPACER

Material: polyamide, self-lubricating.

Packaging: 100 pieces.

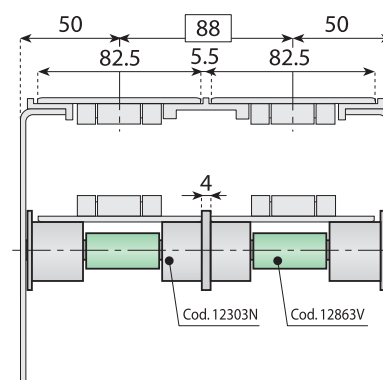


Code	Colour	For rod Ø
12863V	Green	12
12863N	Black	12
12864V	Green	16
12864N	Black	16
12860V	Green	18
12860N	Black	18
12861V	Green	20
12861N	Black	20

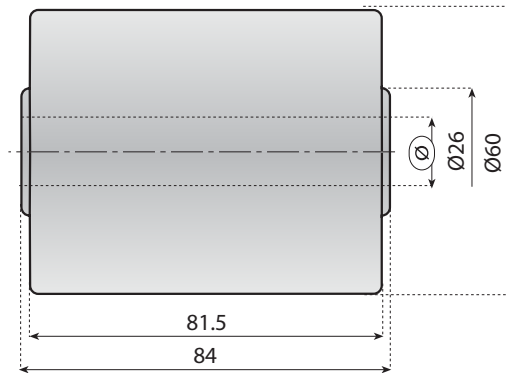
SPACER

Material: polyamide, self-lubricating.

Packaging: 100 pieces.



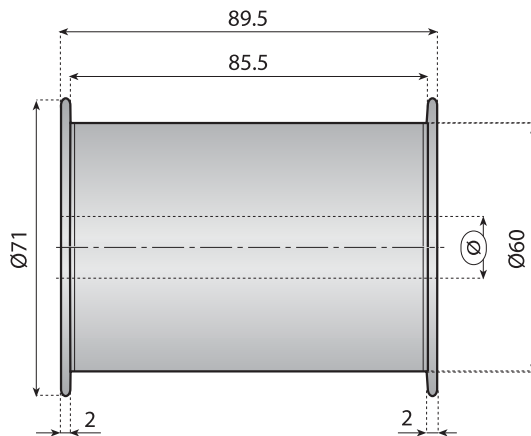
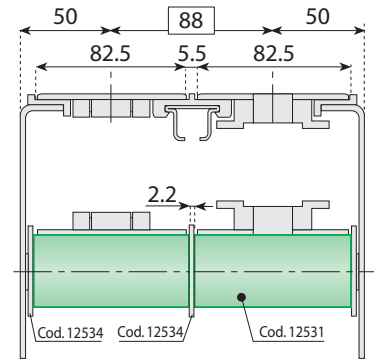
Chain return components



ROLLER

Material: polyamide, self-lubricating.
Packaging: 50 pieces.

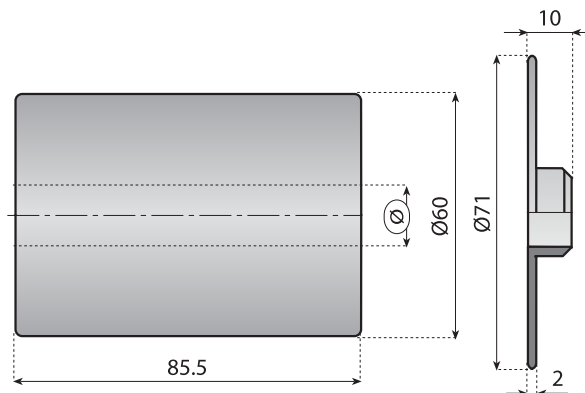
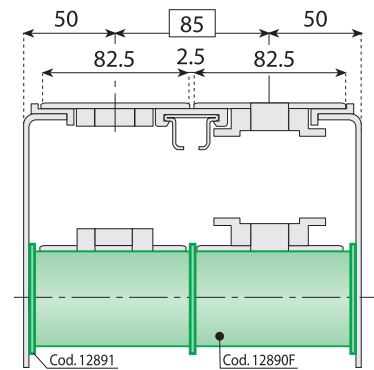
Code	Colour	For rod Ø
12531	Black	14



ROLLER

Material: polyamide, self-lubricating.
Packaging: 50 pieces.

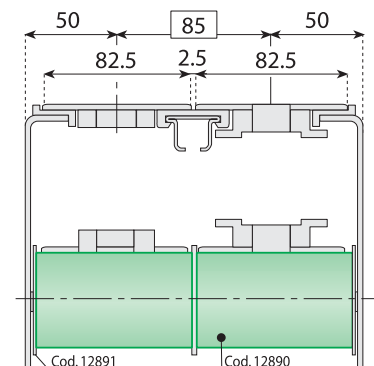
Code	Colour	For rod Ø
12839F	Black	12
12890F	Black	14
12840F	Black	16



ROLLER

Material: High Density Polyethylene, self-lubricating.
Packaging: 50 pieces.

Code	Colour	For rod Ø
12839	Black	12
12890	Black	14
12840	Black	16
12891	Black	Flange for roller



Chain return components

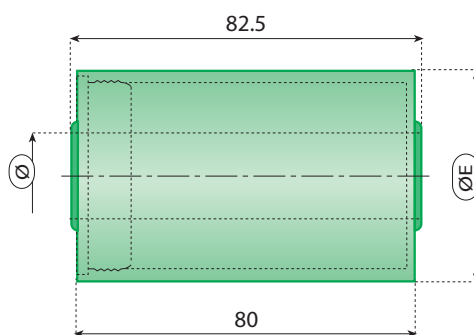
WATERTIGHT ROLLER

Characteristics:

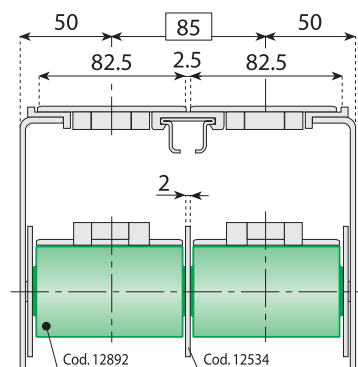
- Very low friction coefficient
- No liquid absorption
- Excellent wear and chemical resistance
- Completely closed structure, easier to clean and disinfect
- Watertight



Polyethylene

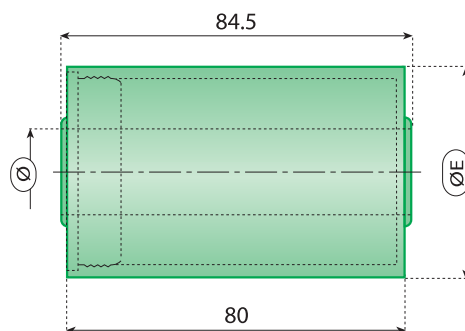


Code	Colour	ØE	For rod Ø
121950	Green	40	16
121951	Green	50	16
121952	Green	60	16
121551	Green	40	18
12831	Green	50	18
12835	Green	60	18
121552	Green	40	20
12892	Green	50	20
12836	Green	60	20

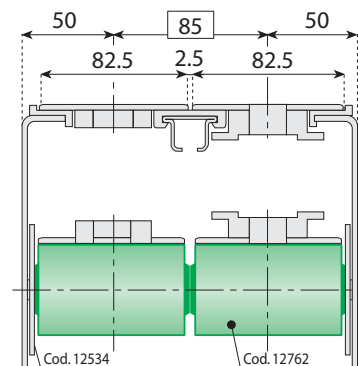


WATERTIGHT ROLLER

Material: High Density Polyethylene, self-lubricating.
Packaging: 50 pieces.



Code	Colour	ØE	For rod Ø
121953	Green	40	16
121954	Green	50	16
121955	Green	60	16
121547	Green	40	18
121595	Green	50	18
121548	Green	60	18
121549	Green	40	20
12762	Green	50	20
121550	Green	60	20



WATERTIGHT ROLLER

Material: High Density Polyethylene, self-lubricating.
Packaging: 50 pieces.

Chain return components

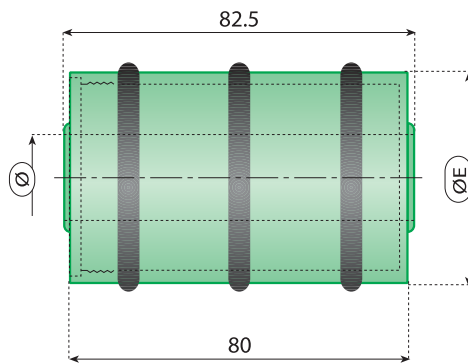
LOW NOISE ROLLER

Characteristics:

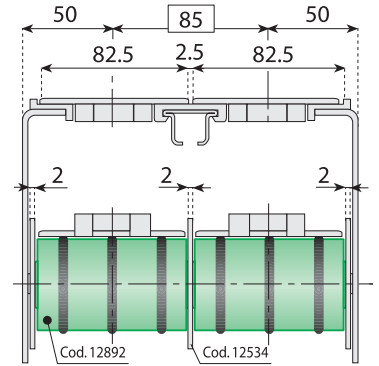
- Reduced noise level.
- Very low friction coefficient.
- No liquid absorption.
- Excellent wear and chemical resistance.
- Completely closed structure, easier to clean and disinfect.
- Watertight.



Polyethylene

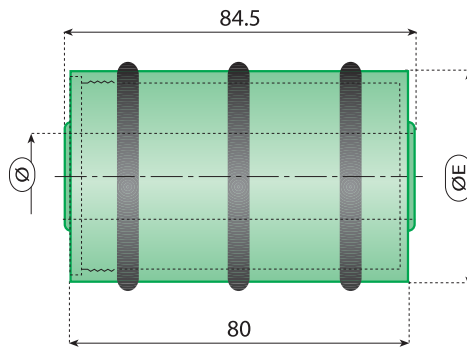


Code	Colour	ØE	For rod Ø
121950LN	Green - Black	40	16
121951LN	Green - Black	50	16
121952LN	Green - Black	60	16
121551LN	Green - Black	40	18
12831LN	Green - Black	50	18
12835LN	Green - Black	60	18
121552LN	Green - Black	40	20
12892LN	Green - Black	50	20
12836LN	Green - Black	60	20

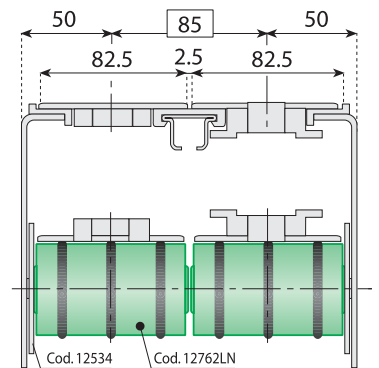


LOW NOISE ROLLER

Material: Roller in High Density Polyethylene.
O-ring in EPDM rubber.
Colour: green roller.
Black O-ring.
Packaging: 50 pieces.



Code	Colour	ØE	For rod Ø
121953LN	Green - Black	40	16
121954LN	Green - Black	50	16
121955LN	Green - Black	60	16
121547LN	Green - Black	40	18
121595LN	Green - Black	50	18
121548LN	Green - Black	60	18
121549LN	Green - Black	40	20
12762LN	Green - Black	50	20
121550LN	Green - Black	60	20



LOW NOISE ROLLER

Material: Roller in High Density Polyethylene.
O-ring in EPDM rubber.
Colour: green roller.
Black O-ring.
Packaging: 50 pieces.

Chain return components

WATERTIGHT ROLLER WITH RUBBER TOP

Characteristics:

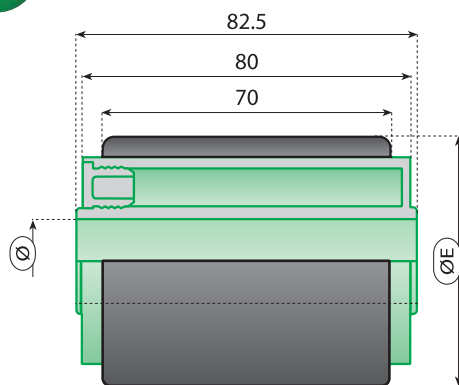
- Reduced noise level.
- Very low friction coefficient.
- No liquid absorption.
- Excellent wear and chemical resistance.
- Completely closed structure, easier to clean and disinfect.
- Watertight.



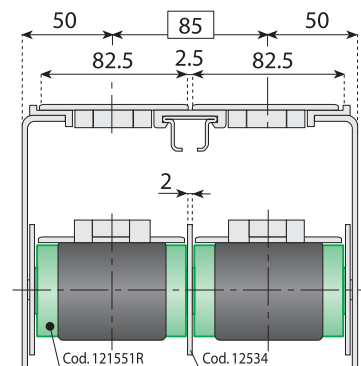
Polyethylene



Thermoplastic rubber



Code	Colour	ØE	For rod Ø
121950R	Green - Black	44	16
121951R	Green - Black	54	16
121952R	Green - Black	64	16
121551R	Green - Black	44	18
12831R	Green - Black	54	18
12835R	Green - Black	64	18
121552R	Green - Black	44	20
12892R	Green - Black	54	20
12836R	Green - Black	64	20



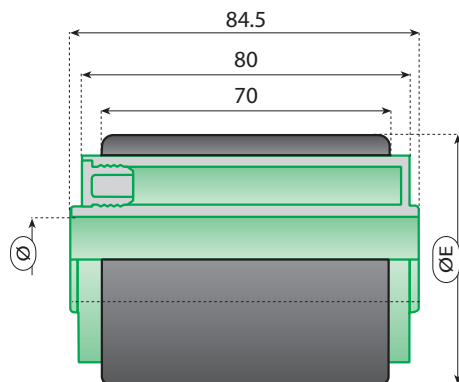
WATERTIGHT ROLLER WITH RUBBER TOP

Material: roller in High Density Polyethylene.

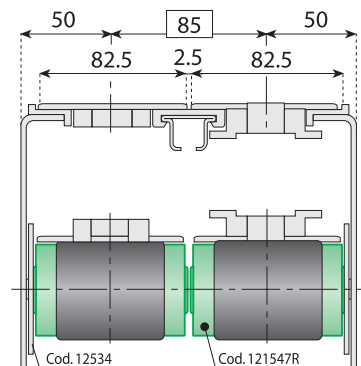
Thermoplastic rubber.

Colour: green roller, black rubber.

Packaging: 50 pieces



Code	Colour	ØE	For rod Ø
121953R	Green - Black	44	16
121954R	Green - Black	54	16
121955R	Green - Black	64	16
121547R	Green - Black	44	18
121595R	Green - Black	54	18
121548R	Green - Black	64	18
121549R	Green - Black	44	20
12762R	Green - Black	54	20
121550R	Green - Black	64	20



WATERTIGHT ROLLER WITH RUBBER TOP

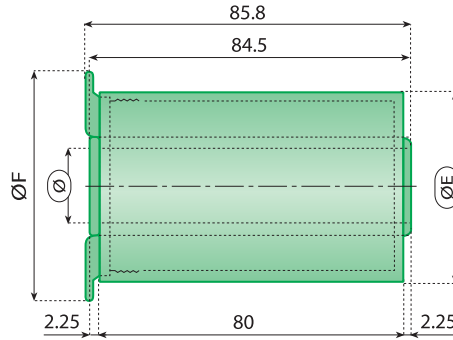
Material: roller in High Density Polyethylene.

Thermoplastic rubber.

Colour: green roller, black rubber.

Packaging: 50 pieces

Chain return components

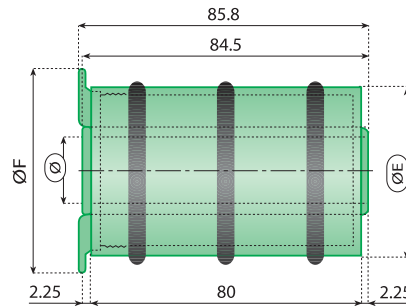
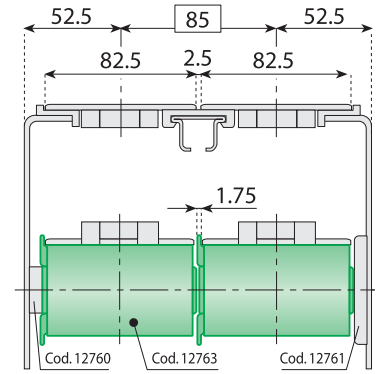


ROLLER WITH SIDE BORDER

Material: High Density Polyethylene.

Packaging: 50 pieces.

Code	Colour	ØE	ØF	For rod Ø
121956	Green	40	50	16
121957	Green	50	60	16
121958	Green	60	70	16
121553	Green	40	50	18
12833	Green	50	60	18
12837	Green	60	70	18
121554	Green	40	50	20
12763	Green	50	60	20
12838	Green	60	70	20



LOW NOISE ROLLER WITH SIDE BORDER

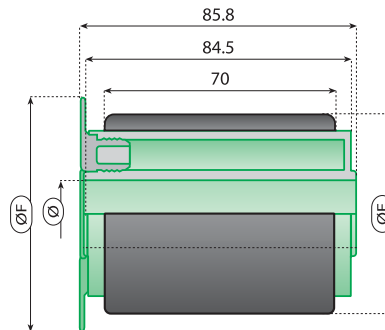
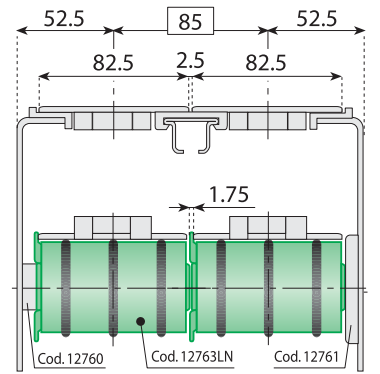
Material: roller in High Density Polyethylene.

O-ring in EPDM rubber

Colour: green roller. Black O-ring.

Packaging: 50 pieces.

Code	Colour	ØE	ØF	For rod Ø
121956LN	Green - Black	40	50	16
121957LN	Green - Black	50	60	16
121958LN	Green - Black	60	70	16
121553LN	Green - Black	40	50	18
12833LN	Green - Black	50	60	18
12837LN	Green - Black	60	70	18
121554LN	Green - Black	40	50	20
12763LN	Green - Black	50	60	20
12838LN	Green - Black	60	70	20



ROLLER WITH SIDE BORDER AND RUBBER TOP

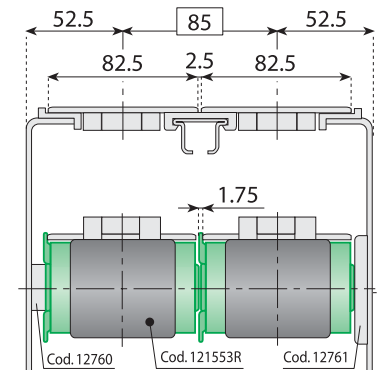
Material: roller in High Density Polyethylene.

Thermoplastic rubber.

Colour: green roller, black rubber.

Packaging: 50 pieces.

Code	Colour	ØE	ØF	For rod Ø
121956R	Green - Black	44	50	16
121957R	Green - Black	54	60	16
121958R	Green - Black	64	70	16
121553R	Green - Black	44	50	18
12833R	Green - Black	54	60	18
12837R	Green - Black	64	70	18
121554R	Green - Black	44	50	20
12763R	Green - Black	54	60	20
12838R	Green - Black	64	70	20



Chain return components



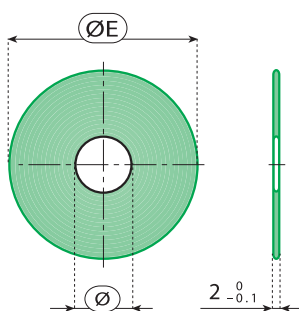
GUIDE FLANGE

Characteristics:

- Very low friction coefficient.
- No liquid absorption.
- Excellent wear and chemical resistance.



Polypropylene

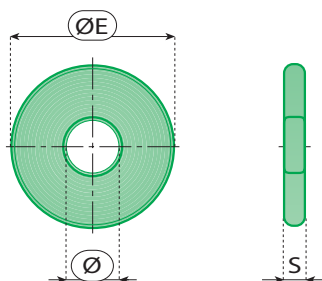
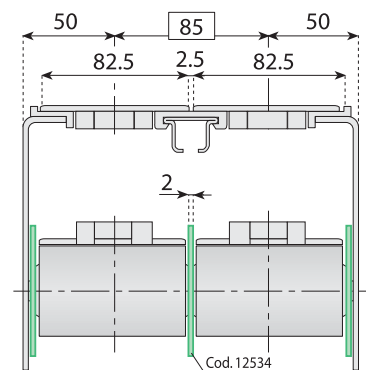


Code	Colour	ØE	For rod Ø
12919	Green	50	14
12847	Green	60	14
12843	Green	70	14
12918	Green	50	16
12846	Green	60	16
12842	Green	70	16
12849	Green	50	18
12845	Green	60	18
12841	Green	70	18
12826	Green	100	18
12848	Green	50	20
12844	Green	60	20
12534	Green	70	20
12894	Green	100	20

GUIDE FLANGE

Material: polypropylene.

Packaging: 100 pieces.

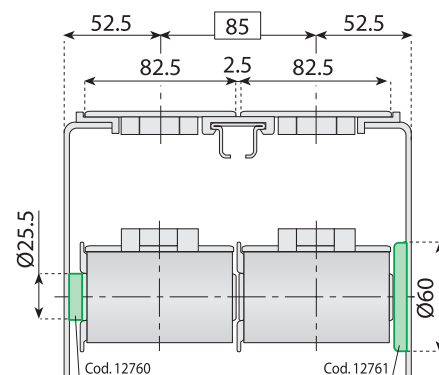


Code	Colour	ØE	S	For rod Ø
12797	Green	90	5	15
12798	Green	90	5	20
12760	Green	25.5	7.25	20
12761	Green	60	7.25	20

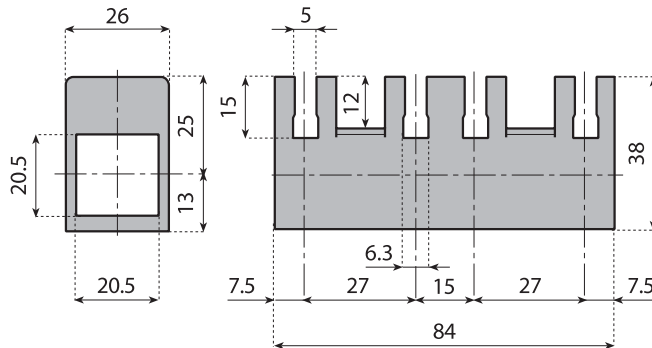
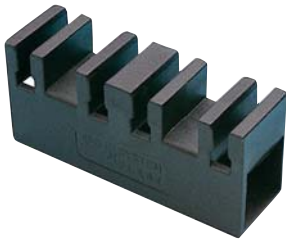
GUIDE FLANGE

Material: polypropylene.

Packaging: 100 pieces.



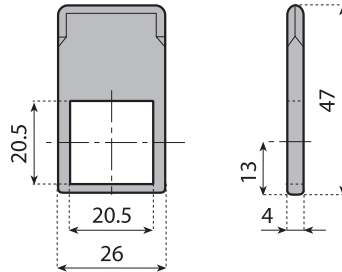
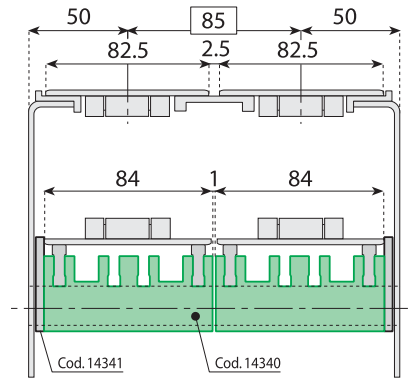
Chain return components



SPACER FOR SERPENTINE

Material: polyamide.
Packaging: 100 pieces

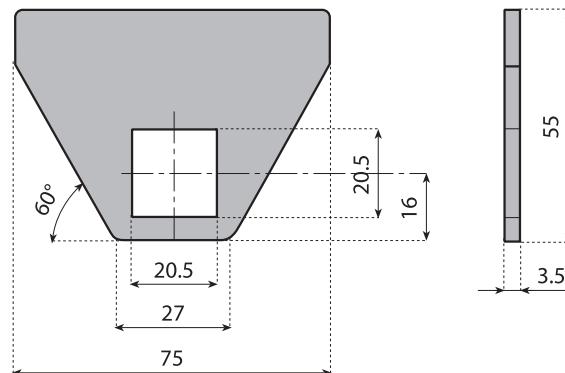
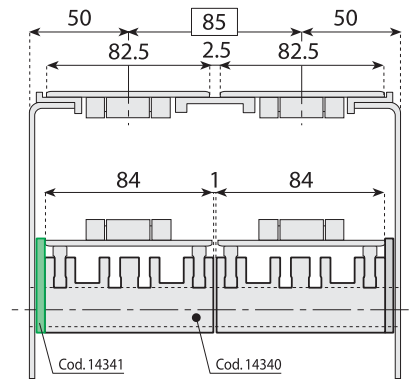
Code	Colour	For square shaft
14340	Black	20 x 20



LITTLE WASHER

Material: polyamide.
Packaging: 100 pieces.

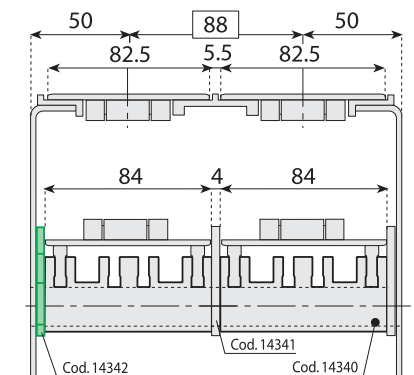
Code	Colour	For square shaft
14341	Black	20 x 20



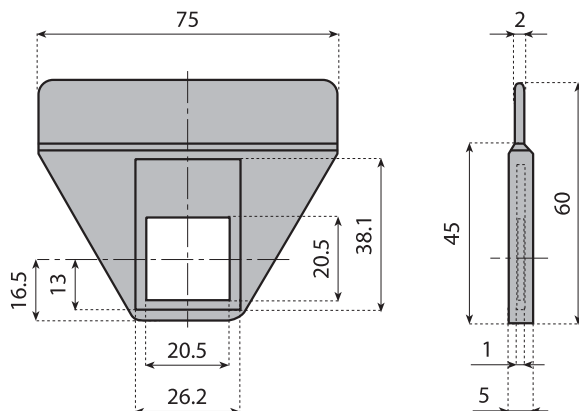
BIG WASHER

Material: polyamide.
Use: 88 mm pitch.
Packaging: 100 pieces.

Code	Colour	For square shaft
14342	Black	20 x 20



Chain return components



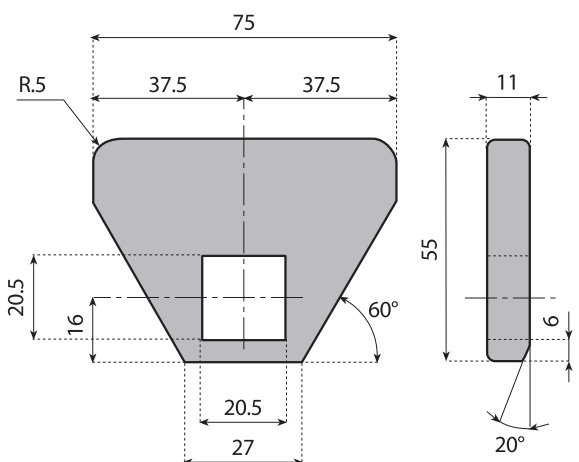
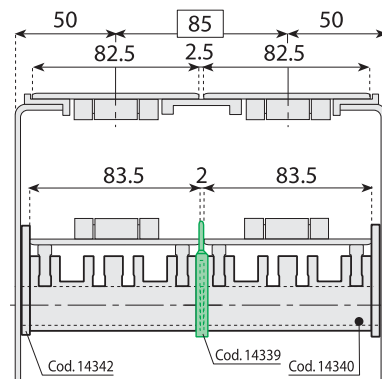
BIG WASHER

Material: polyamide.

Use: 85 mm pitch.

Packaging: 100 pieces.

Code	Colour	For square shaft
14339	Black	20 x 20

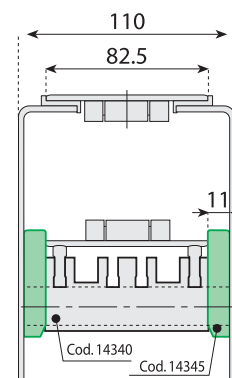


EXTRA WASHER

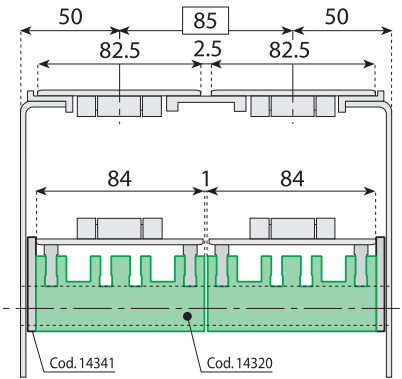
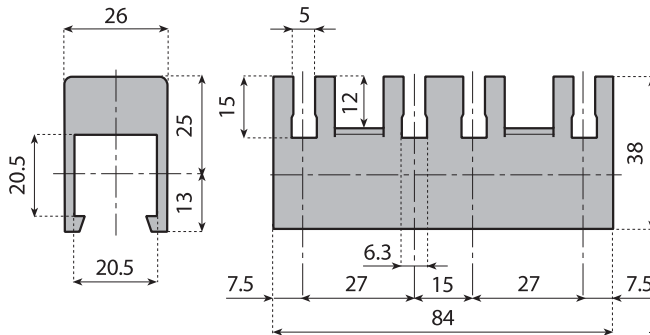
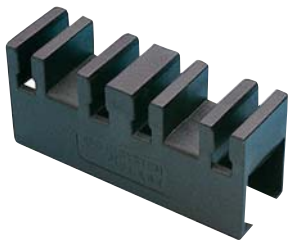
Material: polyamide.

Packaging: 100 pieces.

Code	Colour	For square shaft
14345	Black	20 x 20



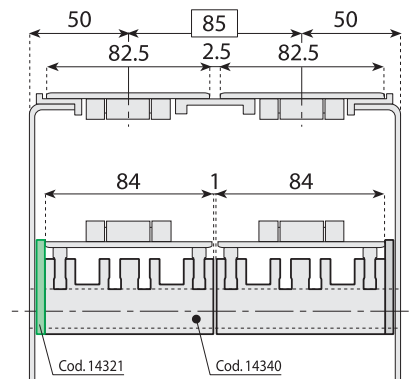
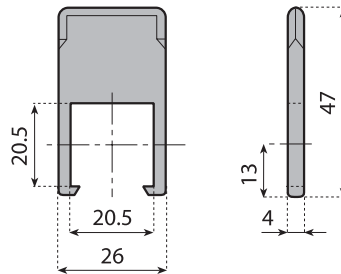
Chain return components



SPACER FOR SERPENTINE Snap-on assembly

Material: polyamide.
Packaging: 100 pieces.

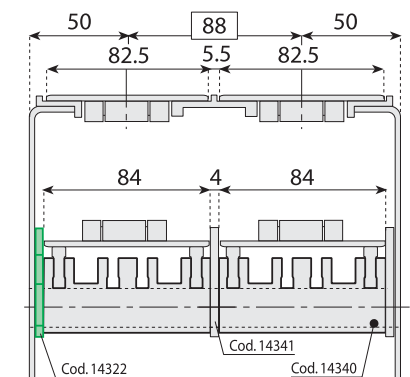
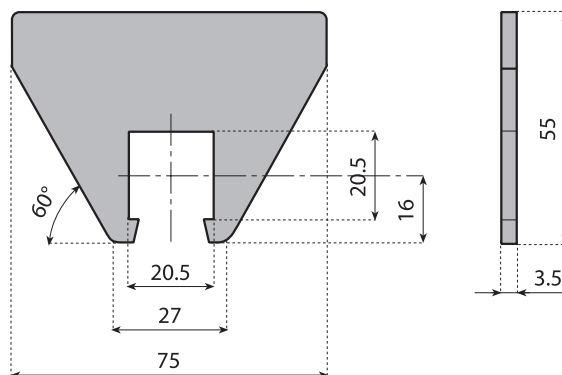
Code	Colour	For square shaft
14320	Black	20 x 20



LITTLE WASHER Snap-on assembly

Material: polyamide.
Packaging: 100 pieces.

Code	Colour	For square shaft
14321	Black	20 x 20

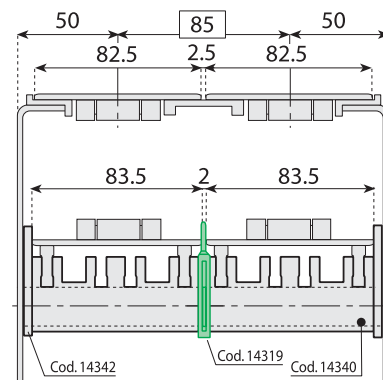
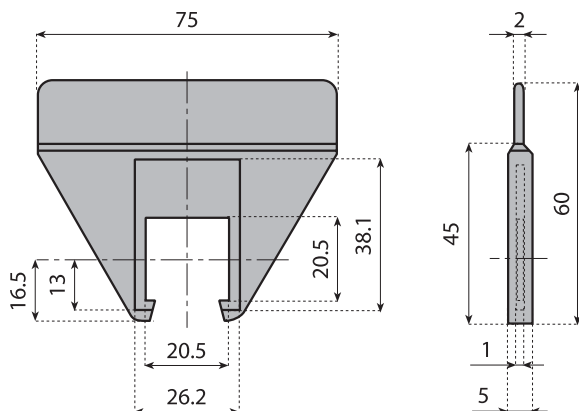


BIG WASHER Snap-on assembly

Material: polyamide.
Use: 88 mm pitch.
Packaging: 100 pieces.

Code	Colour	For square shaft
14322	Black	20 x 20

Chain return components



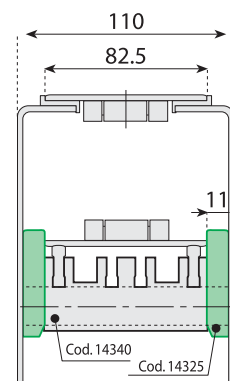
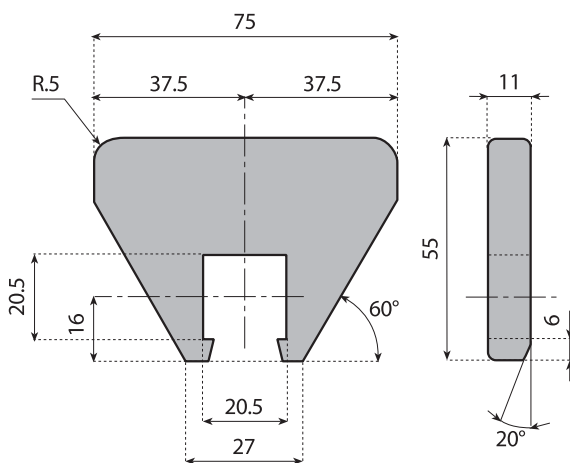
BIG WASHER Snap-on assembly

Material: polyamide.

Use: 85 mm pitch.

Packaging: 100 pieces.

Code	Colour	For square shaft
14319	Black	20 x 20



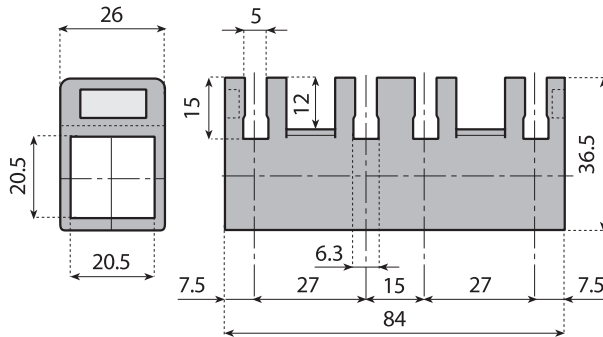
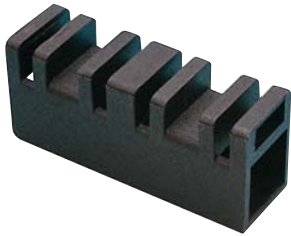
EXTRA WASHER Snap-on assembly

Material: polyamide.

Packaging: 100 pieces.

Code	Colour	For square shaft
14325	Black	20 x 20

Chain return components



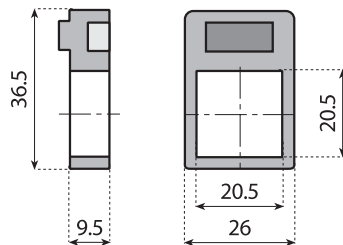
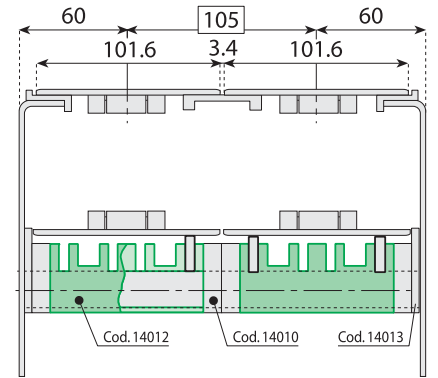
SPACER FOR SERPENTINE

Material: polyamide.

Use: in combination with codes 14010 - 14011 - 14013 - 14014.

Packaging: 100 pieces.

Code	Colour	For square shaft
14012	Black	20 x 20



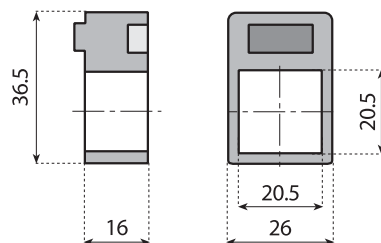
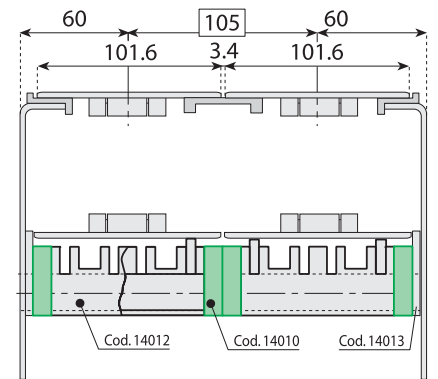
WASHER

Material: polyamide.

Use: chain return width K 400 (101,6 mm).

Packaging: 100 pieces.

Code	Colour	For square shaft
14010	Black	20 x 20



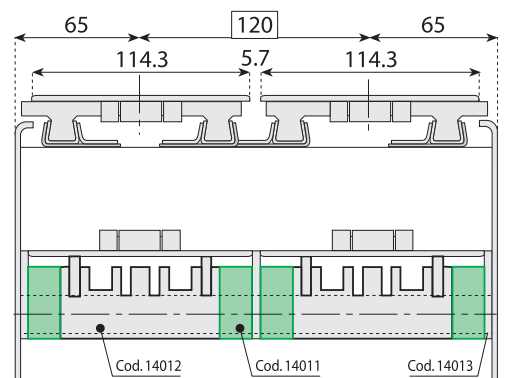
BIG WASHER

Material: polyamide.

Use: chain return width K 450 (114,3 mm).

Packaging: 100 pieces.

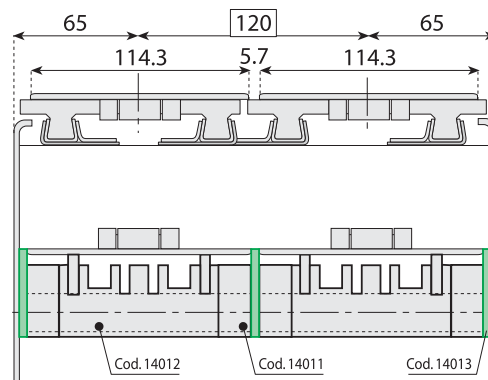
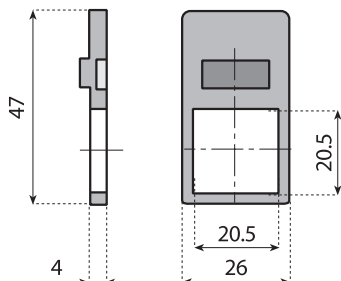
Code	Colour	For square shaft
14011	Black	20 x 20



Chain return components



Polyethylene

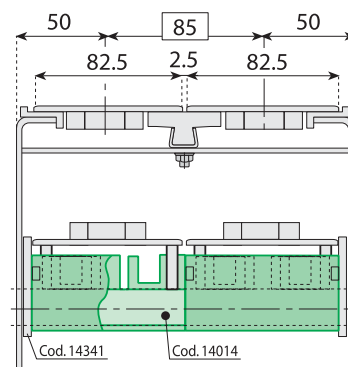
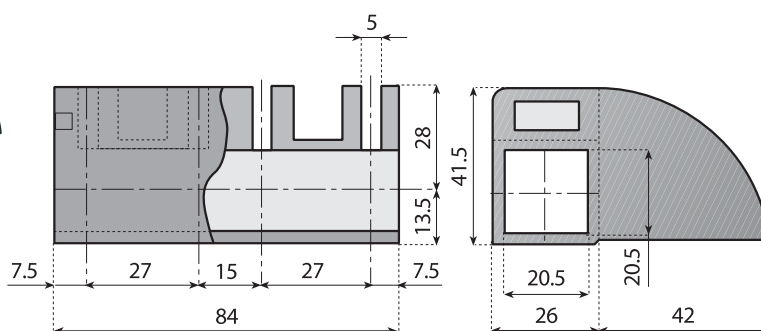


SIDE SPACER

Material: polyethylene.

Packaging: 100 pieces.

Code	Colour	For square shaft
14013	Black	20 x 20



SLIDING SHOE

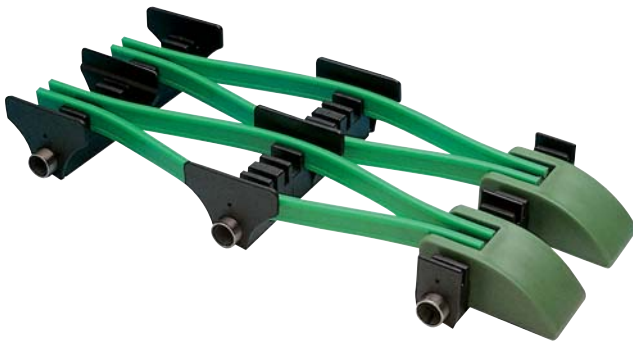
Material: polyethylene.

Notes: this part can be installed with codes 14010 - 14011 - 14012 - 14013.

Packaging: 100 pieces.

Code	Colour	For square shaft
14014	Black	20 x 20

Chain return components



The new design is reliable, economic and easily installed. It reduces the installation time, assures an uniform alignment, a smooth level surface, lengthness chain life by reducing wear and chain pulsation.

Notes: use with rod \varnothing 20 mm.

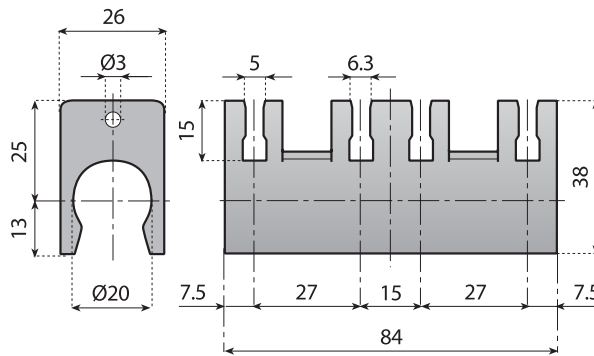
Features: use with steel or plastic chains and with modular belts.
No length limitations.
Rapid installation.
No maintenance required.



Polyamide



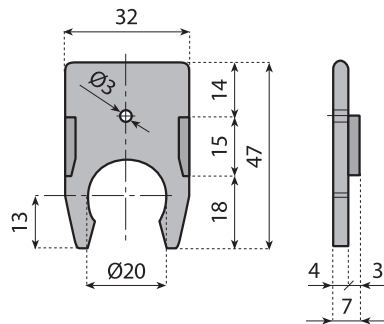
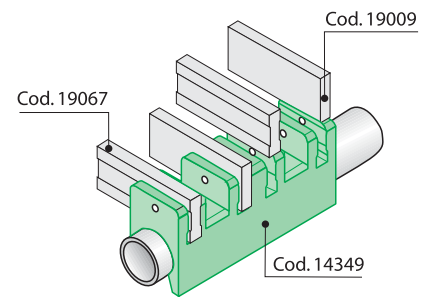
Accessories



SPACER FOR SERPENTINE Snap-on assembly

Material: reinforced polyamide.
Packaging: 100 pieces.

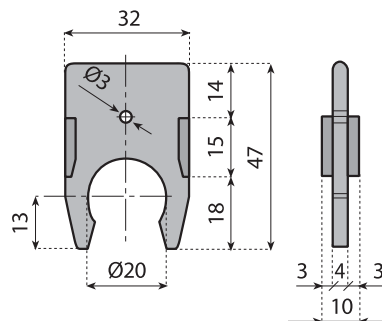
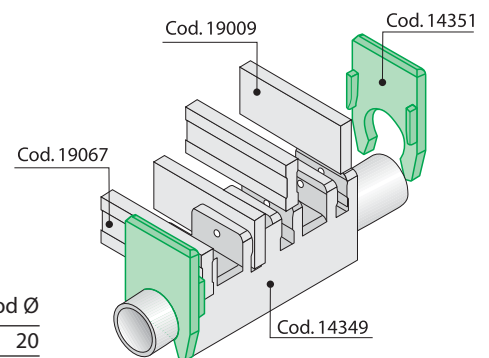
Code	Colour	For rod \varnothing
14349	Black	20



SIDE SPACER Snap-on assembly

Material: polyamide.
Packaging: 100 pieces.

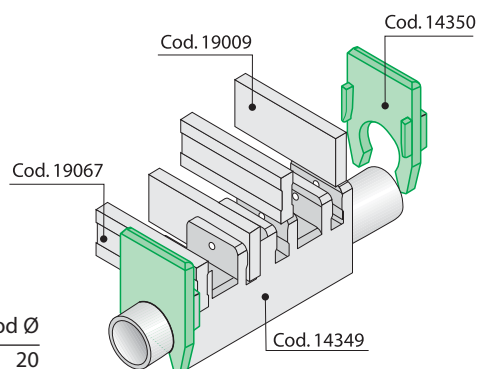
Code	Colour	For rod \varnothing
14351	Black	20



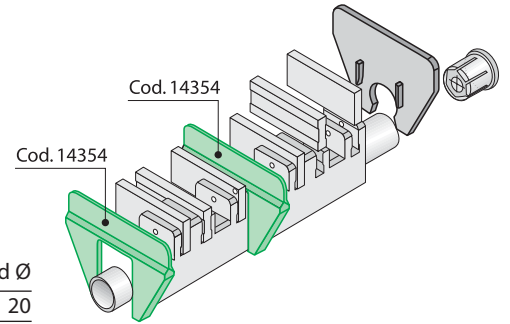
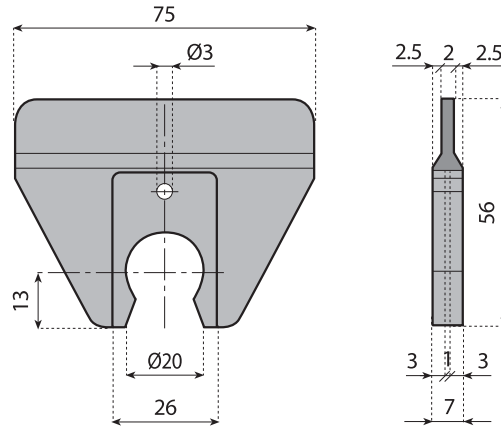
MIDDLE SPACER Snap-on assembly

Material: polyamide.
Packaging: 100 pieces.

Code	Colour	For rod \varnothing
14350	Black	20



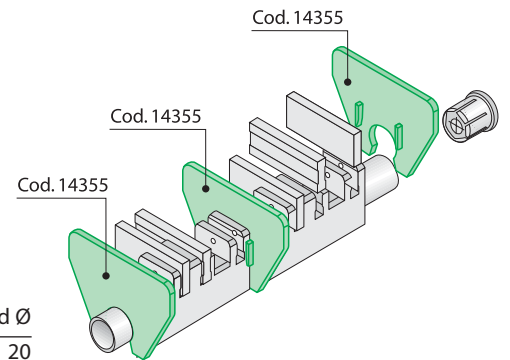
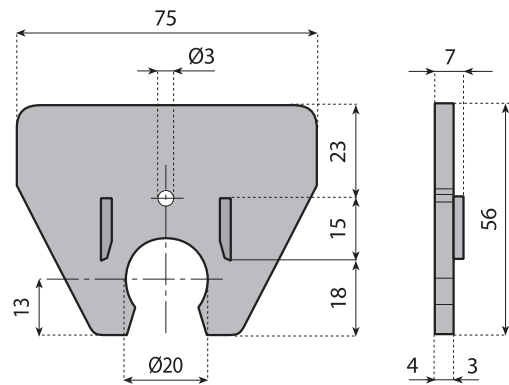
Chain return components



MIDDLE SPACER Pitch 85 mm
Snap-on assembly

Material: polyamide.
Use: in connection with code 14349.
Packaging: 100 pieces.

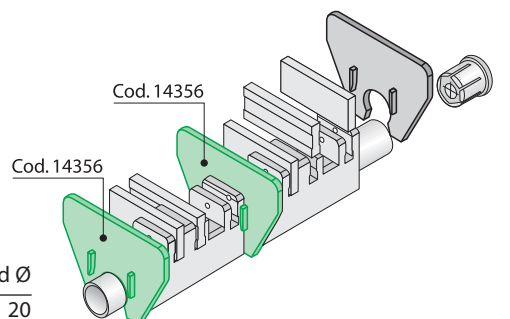
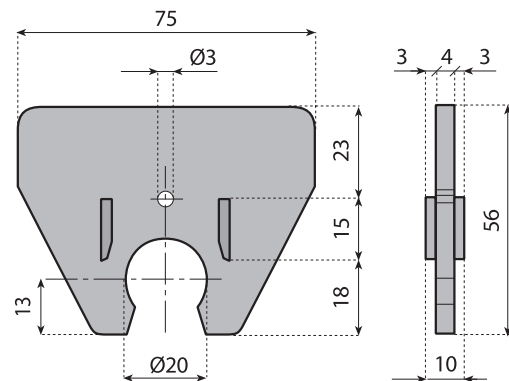
Code	Colour	For rod Ø
14354	Black	20



SIDE SPACER Pitch 88 mm
Snap-on assembly

Material: polyamide.
Packaging: 100 pieces.

Code	Colour	For rod Ø
14355	Black	20

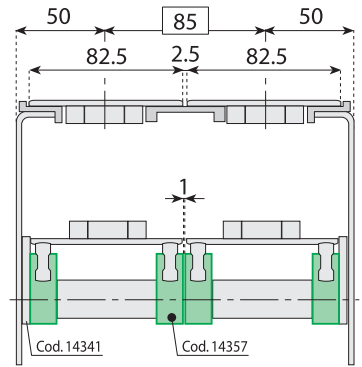
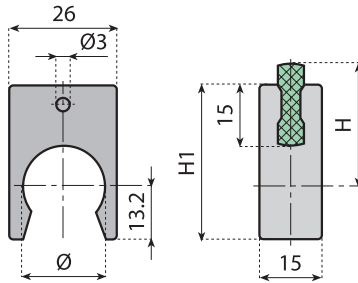


MIDDLE SPACER Pitch 88 mm
Snap-on assembly

Material: polyamide.
Packaging: 100 pieces.

Code	Colour	For rod Ø
14356	Black	20

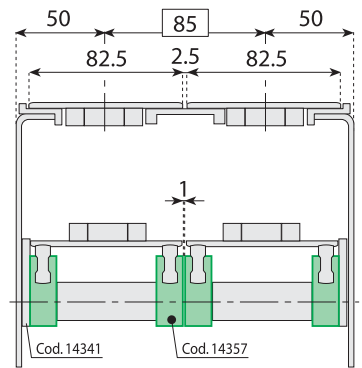
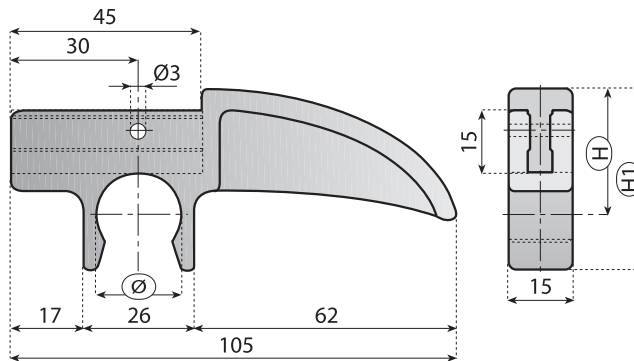
Chain return components



SINGLE SPACER Snap-on assembly

Material: polyamide.
Packaging: 100 pieces.

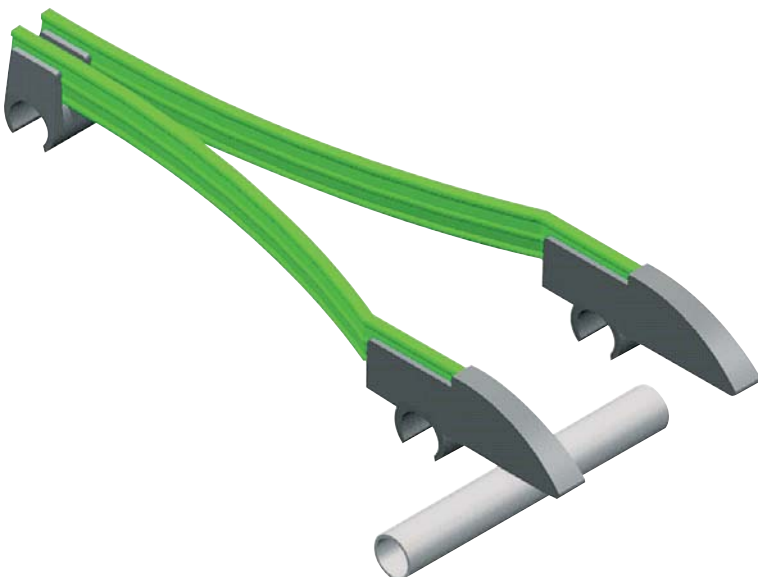
Code	H	H1	For rod Ø
14357	34	42.5	18
14358	30	38	20



SHOE WEAR STRIP Snap-on assembly

Material: polyamide.
Use: wear strip code 19067N - 19067V.
Packaging: 50 pieces.

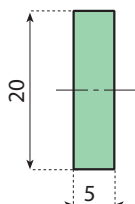
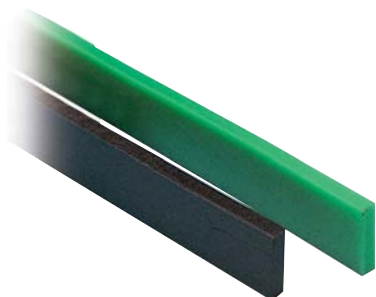
Code	H	H1	For rod Ø
14361	34	42.5	18
14362	30	38	20



Chain return components



Polyethylene



WEAR STRIP

Material: polyethylene PE1000

Use: spacers code

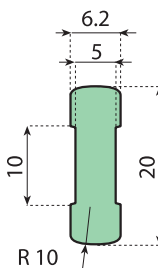
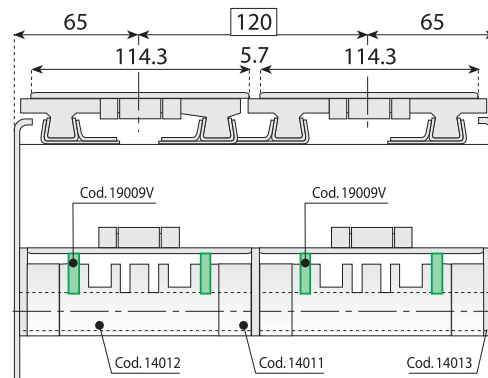
14340 - 14012 - 14349.

Supply: coils.

Packaging: 60 meters.

Code
19009N
19009V

Colour
Black
Green



WEAR STRIP

Material: polyethylene PE1000.

Use: spacers code

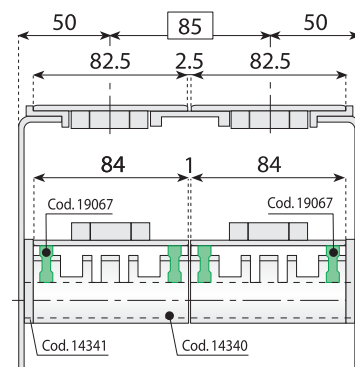
14340 - 14349.

Supply: coils.

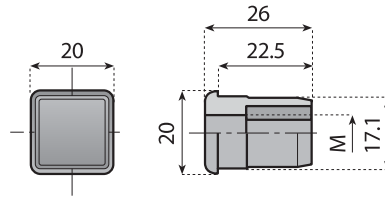
Packaging: 60 meters.

Code
19067N
19067V

Colour
Black
Green



Chain return components

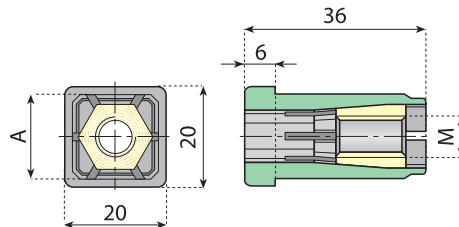
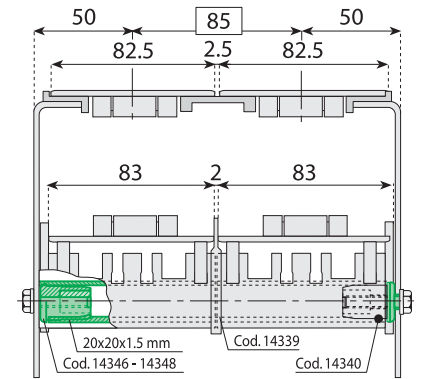


SQUARE PLUG for square tube

Material: reinforced polyamide, threaded bushing in nickel plated brass.

Packaging: 100 pieces.

Code	Colour	M	For square shaft
14348	Black	6	20 x 20
14346	Black	8	20 x 20



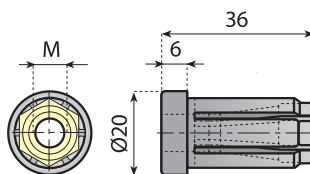
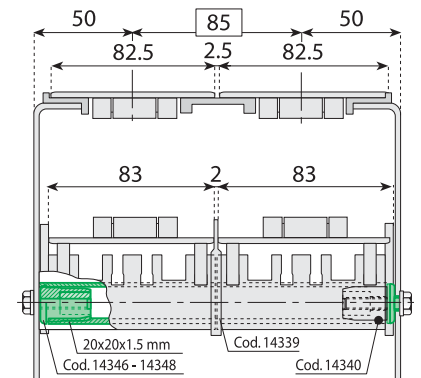
EXPANSION PLUG for square tubes

Components:
External part in reinforced polyamide.
Conical insert in nickel plated brass.

Technical information:
Max. load for removal Kgf 300
(static conditions).

Packaging: 100 pieces.

Code	A	M	For square tube
14019	17	8	20 x 20 x 1.5
14020	17	10	20 x 20 x 1.5
14021	16	8	20 x 20 x 2
14022	16	10	20 x 20 x 2



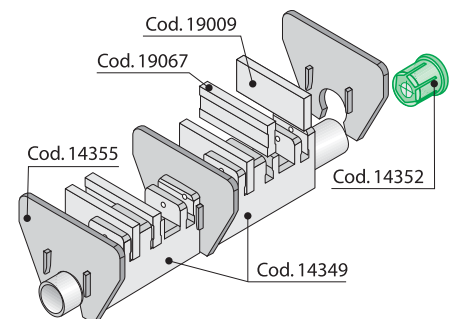
EXPANSION PLUG for round tubes

Components:
External part in reinforced polyamide.
Conical insert in nickel plated brass.

Technical information:
Max. load for removal Kgf 300
(static conditions).

Packaging: 100 pieces.

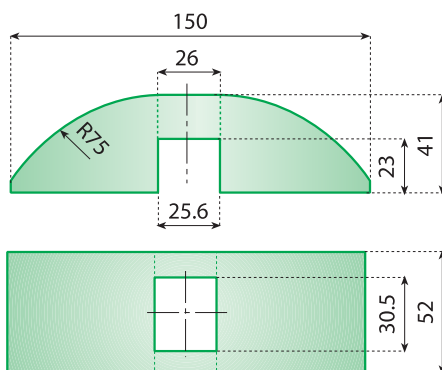
Code	Colour	M	For round tube
14352	Black	8	20 x 1.5
14353	Black	10	20 x 1.5



Chain return components



Polyethylene

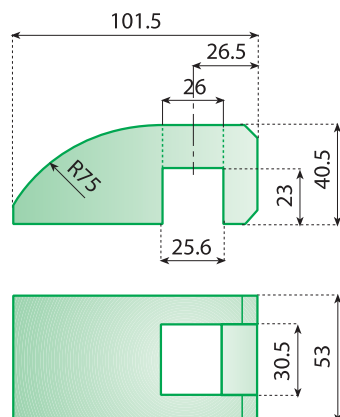
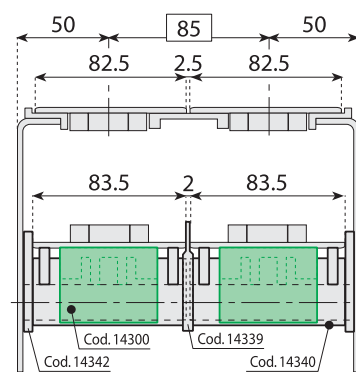


SLIDING SHOE

Material: polyethylene.
Use: with spacers 14340 - 14349.
Packaging: 100 pieces.

Code
14300

Colour
 Green

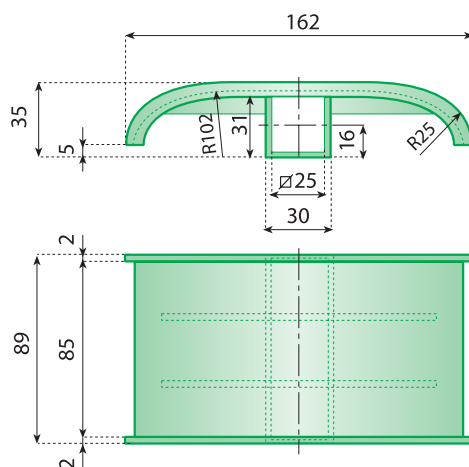
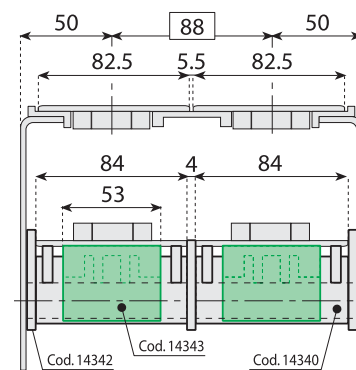


SLIDING SHOE

Material: polyethylene.
Use: with spacers 14340 - 14349.
Packaging: 100 pieces.

Code
14343

Colour
 Green

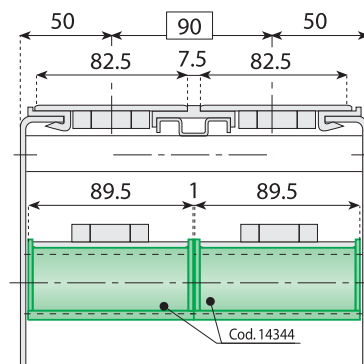


SLIDING SHOE

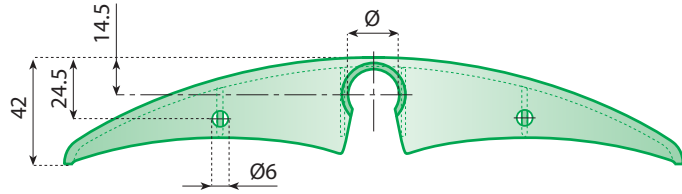
Material: polyethylene.
Packaging: 100 pieces.

Code
14344

Colour
 Green



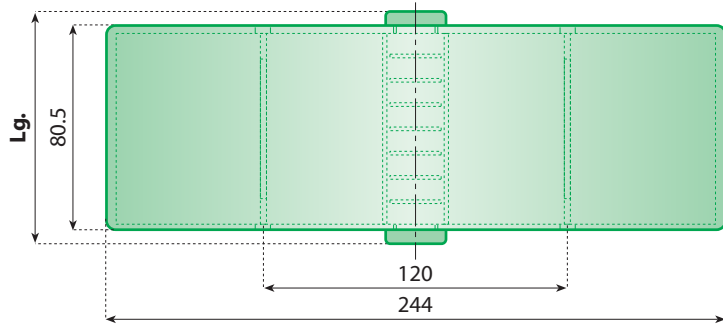
Chain return components



SNAP-ON SELF-ADJUSTING SLIDING SHOE

Material: polyethylene.
Packaging: 50 pieces.

New design and Range Extension

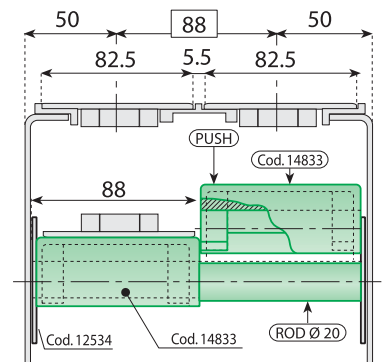
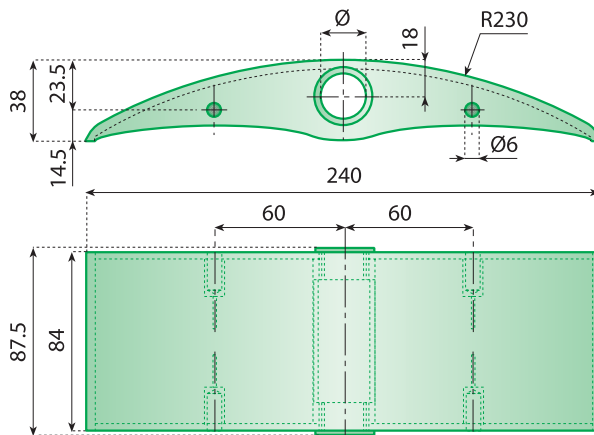


Code	Lg.	Colour	For rod Ø
14841	83	Green	18
14841B	83	Black	18
14842	83	Green	20
14842B	83	Black	20

Code	Lg.	Colour	For rod Ø
14843	85	Green	18
14843B	85	Black	18
14844	85	Green	20
14844B	85	Black	20

Code	Lg.	Colour	For rod Ø
14834	84	Green	18
14834B	84	Black	18
14838	84	Green	20
14838B	84	Black	20

Code	Lg.	Colour	For rod Ø
14845	88	Green	18
14845B	88	Black	18
14833	88	Green	20
14833B	88	Black	20



SELF-ADJUSTING SLIDING SHOE

Material: polyethylene.
Application: pitch 88 mm.
Packaging: 100 pieces.

Code	Colour	For rod Ø
14820	Green	20
14820B	Black	20